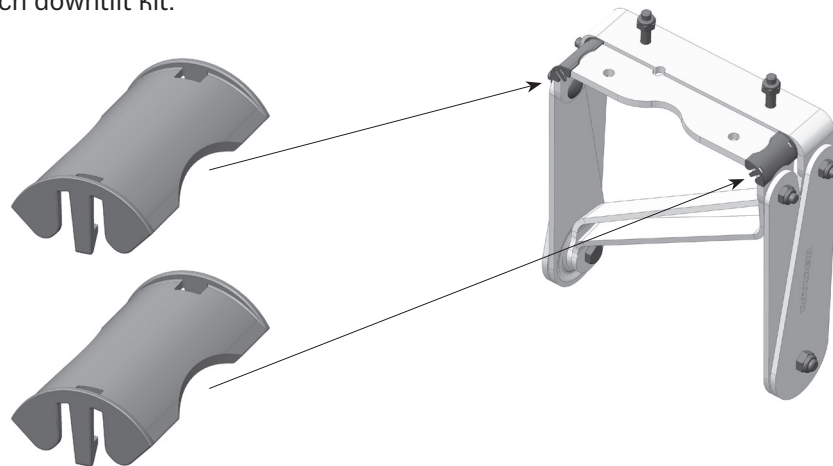
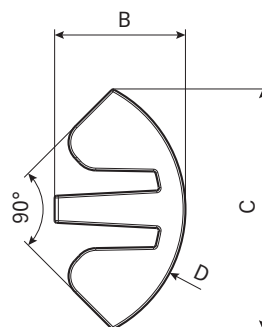
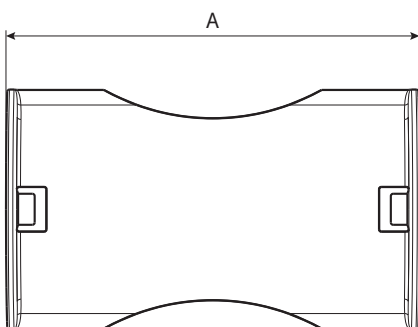
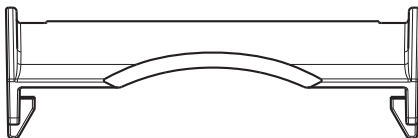


Mounting Hardware Spacer for Downtilt Kit (Wind Load Category “XM” and “XH”)

- Plastic spacer to ease mounting of the Downtilt Kit XH 85010099 and XM 85010110 in “no-downtilt” position (0°), only.
- For downtilt positions > 0°, no spacer is needed. If spacers have been attached anyway, they have to be removed.
- High performance plastic with exceptional UV-stability.
- Snap-on design for easy assembly prior mounting the downtilt kit.
- Two spacers necessary for each downtilt kit.



Type No.	Description	Packing unit
85010512	Spacer for Downtilt Kit XH 85010099	50 pcs.
85010513	Spacer for Downtilt Kit XM 85010110	50 pcs.



936.0000568c | Subject to alteration.

		85010812	85010813
A	mm inches	54.7 2.2	54.7 2.2
B	mm inches	17.3 0.7	15.3 0.6
C	mm inches	31.8 1.3	29.0 1.1
D	mm inches	R 19.5 R 0.8	R 17.5 R 0.7