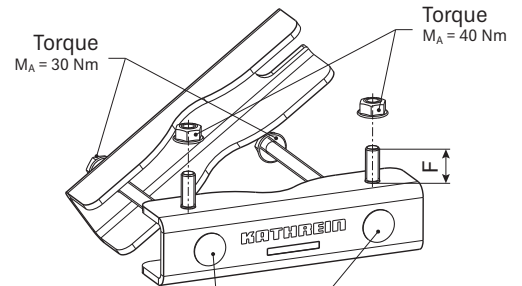
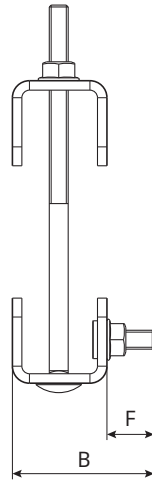
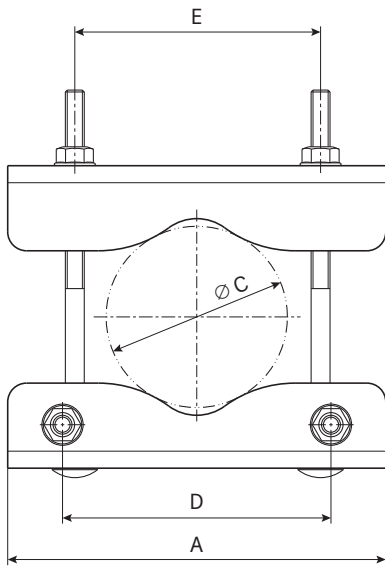


Mounting Hardware Clamps (Wind Load Category "XM")

Clamps 55-115mm XM

Type No.		85010111
Suitable for mast diameter	mm inches	55 - 115 2.2 - 4.5
Scope of supply		2 x clamps
Material - Clamp - Screws - Nuts		Hot-dip galvanized steel Hot-dip galvanized steel Stainless steel
Weight	kg lb	4.5 9.9



Attention!
Square of the screw must be positioned in the square hole before tightening the nut.

936.0000048a | Subject to alteration.

	A	B	C	D	E	F
mm	200	75	55 - 115	142	130	(25)
inches	7.9	2.9	2.2 - 4.5	5.6	5.1	(1)

Please note: Kathrein does not recommend to use counter nuts.