

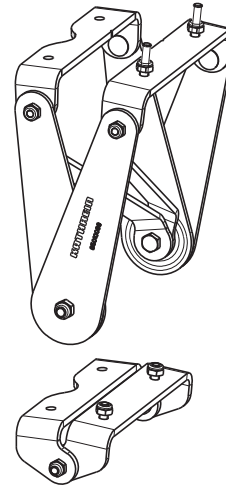
# Standard Downtilt kit for Panel Antennas (Wind Load Category “XM”)

## Special downtilt kit for Panel antennas with wind load category “XM”.

Downtilt kit XM

<b>Type No.</b>		<b>85010110</b>
Preferred range of use		- Panel antennas with attached mounting plates - <b>Downtilt kit without scale for universal use</b>
Weight	kg lb	8,5 18.7
Material		Hot-dip galvanized steel
Screws		Hot-dip galvanized steel
Nuts		Stainless steel

**Attention:** The downtilt kit is not to be used together with azimuth kits or offsets.



Recommended mast clamps:

Type No.	Description	Mast diameter mm   inches	Weight approx. kg   lb	Units per antenna
85010111	2 clamps	55 – 115   2.2 – 4.5	4.5   9.9	1
85010097	2 clamps	110 – 220   4.3 – 8.7	9.7   20.7	1

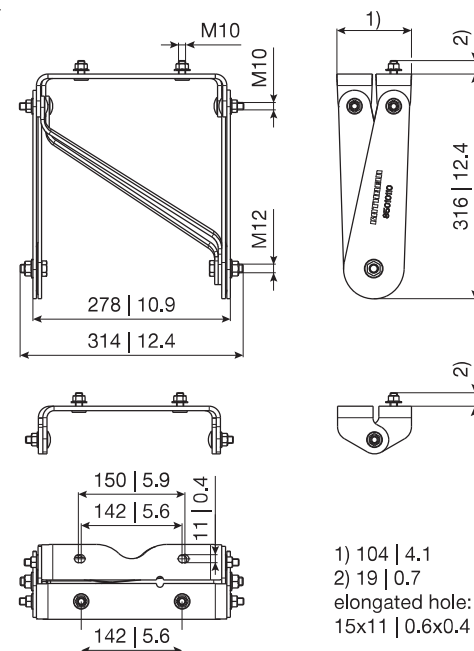
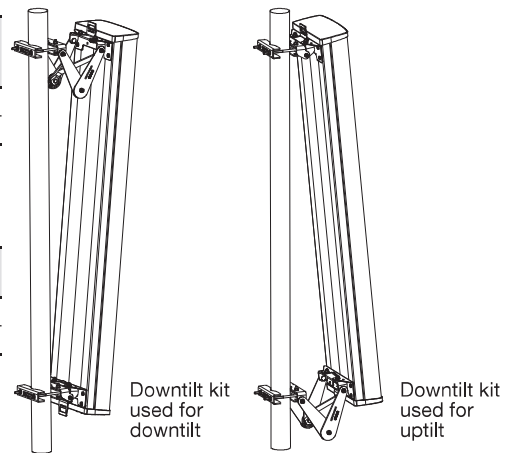
Recommended torque for bolted connections:

Screw size		Torque
M10	Nm	50
M12	Nm	85

Instructions to adjust the required downtilt angle are given in the antenna datasheet or on the rearside of the antenna.

Mounting this downtilt kit enlarges the spacing between mast and antenna by a minimum of 59 mm | 2.3 inches.

Use the downtilt kit together with the clamps as described in the antenna datasheet.



All dimensions in mm | inches