

# Standard Downtilt kit for Panel Antennas (Wind Load Category "H")

## Special downtilt kit for Panel antennas with wind load category "H".

### Downtilt kit

<b>Type No.</b>	<b>85010009</b>		
Preferred range of use	- Panel antennas with attached mounting plates - <b>Downtilt kit without scale for universal use</b>		
Weight	kg	4.4	
	lb	9.7	
Material	Hot-dip galvanized steel		
Screws	Hot-dip galvanized steel / stainless steel		
Nuts	Stainless steel		

**Attention: The downtilt kit is not to be used together with azimuth kits or offsets.**

### Recommended mast clamps:

Type No.	Description	Mast diameter mm   inches	Weight approx. kg   lb	Units per antenna
738546	1 clamp	42-115   1.7-4.5	1.1   2.4	2
85010212	1 clamp	55-115   2.2-4.5	1.6   3.5	2
85010002	1 clamp	110-220   4.3-8.7	2.7   6.0	2
85010003	1 clamp	210-380   8.3-14.9	4.8   10.6	2

### Recommended torque for bolted connections:

Screw size		Torque
M8	Nm	20
M10	Nm	50
M12	Nm	85

### Maximum acceptable load:

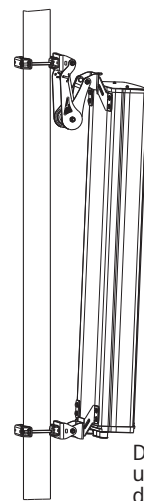
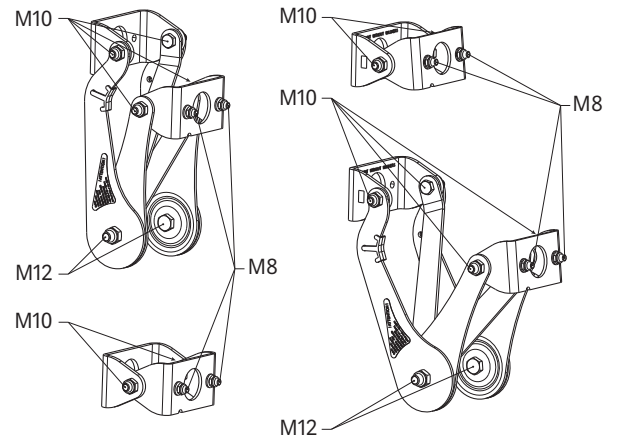
Frontal wind load	N   lbf	< 5000   1124
Lateral wind load	N   lbf	< 1300   292

Instructions to adjust the required downtilt angle are given in the antenna datasheet or on the rearside of the antenna.

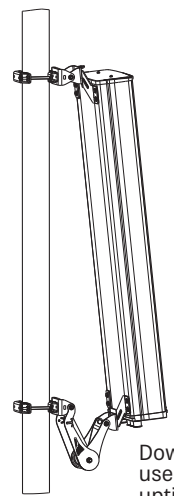
Mounting this downtilt kit enlarges the spacing between mast and antenna by a minimum of 100 mm | 3.9 inches.

Use the downtilt kit together with the clamps as described in the antenna datasheet.

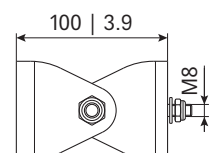
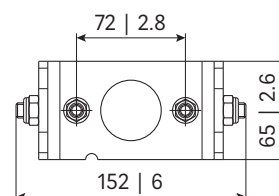
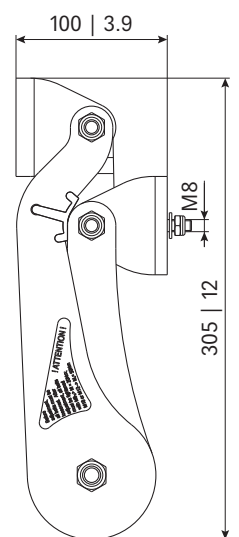
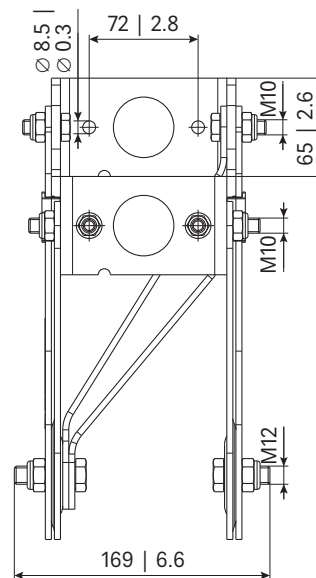
The downtilt kit can also be used for uptilting the antenna.



Downtilt kit used for downtilt



Downtilt kit used for uptilt



All dimensions in mm | inches

936.0000621b | Subject to alteration.

**Any previous data sheet issues have now become invalid.**