

2-Port Antenna Y1
Frequency Range 1710-2690
Dual Polarization X
HPBW 65°
Gain 9.5dBi

2-Port Antenna HB 0.2m 65° | 1710-2690 9.5dBi

Type No.		80020711			
Highband		Y1			
		1710-2690			
Frequency range	MHz	1710 – 1990	1920 – 2200	2200 – 2490	2490 – 2690
Polarization	°	+45, -45	+45, -45	+45, -45	+45, -45
Gain	dBi	8.7	9.2	9.6	9.8
Horizontal Pattern:					
Half-power beam width	°	Approx. 67	Approx. 62	Approx. 55	Approx. 53
Front-to-back ratio, copolar (180°±30°)	dB	> 24	> 24	> 22	> 22
Cross polar ratio 0°	dB	Typically: 20	Typically: 20	Typically: 24	Typically: 24
Cross polar ratio sector corner ±60°	dB	> 10	> 9	> 8	> 8
Vertical Pattern:					
Half-power beam width	°	Approx. 66	Approx. 60	Approx. 55	Approx. 53
Impedance	Ω	50			
VSWR		< 1.5			
Isolation, between ports	dB	> 27			
Intermodulation IM3	dBc	< -150 (2 x 43 dBm carrier)			
Max. power per input	W	100 (at 50 °C ambient temperature)			
Max. power per antenna	W	150 (at 50 °C ambient temperature)			



936.0000185a | Subject to alteration.

Correlation Table

Frequency range	Array	Connector / Ports
1710-2690 MHz	Y1	1-2

Mechanical specifications		
Input	2 x 4.3-10 female	
Connector position	Bottom or top	
Wind load (at Rated Wind Speed: 150 km/h)	N lbf	Frontal: 35 8 Maximal: 35 8
Max. wind velocity	km/h mph	200 124
Height / width / depth	mm inches	155 / 155 / 69 6.1 / 6.1 / 2.7
Category of mounting hardware	L (Light)	
Weight	kg lb	1.5 (tension bands incl.) 3.3 (tension bands incl.)
Packing size	mm inches	257 x 172 x 92 10.1 x 6.8 x 3.6
Scope of Supply	Panel and 1 unit of tension bands for 45-125 mm 1.8-4.9 inches diameter	

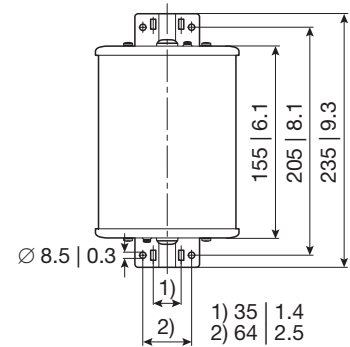
Accessories

General Information

KATHREIN

Accessories (order separately if required)

Type No.	Description	Remarks mm / inches	Weight approx. kg lb	Units per antenna
734360	2 tension bands	Mast diameter: 34 – 60 1.3 – 2.4	0.06 0.13	1
734361	2 tension bands	Mast diameter: 60 – 80 2.4 – 3.1	0.07 0.15	1
734362	2 tension bands	Mast diameter: 80 – 100 3.1 – 3.9	0.08 0.18	1
734363	2 tension bands	Mast diameter: 100 – 120 3.9 – 4.7	0.09 0.20	1
734364	2 tension bands	Mast diameter: 120 – 140 4.7 – 5.5	0.11 0.24	1
738546	1 clamp	Mast diameter: 42 – 115 1.7 – 4.5	1.1 2.4	1
734651	1 clamp	Mast diameter: 28 – 60 1.1 – 2.4	0.8 1.8	1
85010002	1 clamp	Mast diameter: 110 – 220 4.3 – 8.7	2.7 6.0	1
85010003	1 clamp	Mast diameter: 210 – 380 8.3 – 15.0	4.8 10.6	1



All dimensions in mm | inches

Accessories (included in the scope of supply)

734365	2 tension bands	Mast diameter: 45 – 125 1.8 – 4.9	0.08 0.18	1
--------	-----------------	-------------------------------------	-------------	---

Wall mounting: No additional mounting kit needed.

Material:

Reflector screen: Tin-plated copper. **Radiator:** Tin-plated zinc.

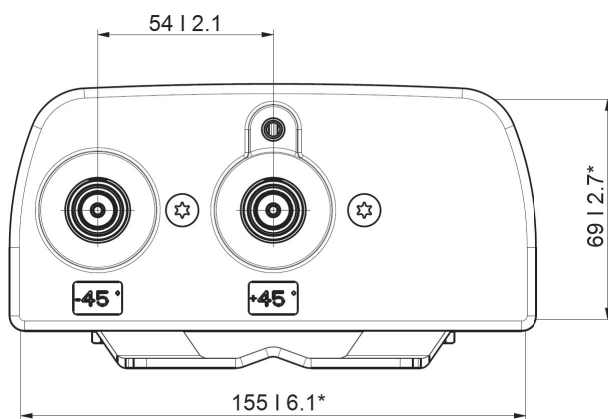
Flat fiberglass radome: The max. radome depth is only 69 mm | 2.7 inches. Fiberglass material guarantees optimum performance with regards to stability, stiffness, UV resistance and painting. The color of the radome is grey.

All screws and nuts: Stainless steel.

Grounding:

The metal parts of the antenna including the mounting kit and the inner conductors are DC grounded.

Layout of interface:



Bottom view

* Dimensions refer to radome
All dimensions in mm | inches

936.0000185a | Subject to alteration.