

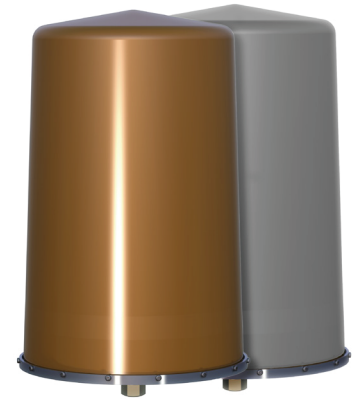
12-Port Omni Antenna
 Frequency Range
 Dual Polarization
 HPBW
 Fixed Electr. DT

Y1,Y3	Y2,Y4	Y5-Y6
1695-2690	1695-2690	5150-5925
X	X	X
360°	360°	360°
5°	5°	4°

KATHREIN

12-Port 1695–2690/1695–2690/5150–5925 360°/360°/360°
 9.3/9.3/5.8dBi 5°/5°/4°

Type No.	84010583	84010584
Radome color	Brown	Grey



Specifications		Y1, connector 1–2 Y2, connector 3–4 Y3, connector 5–6 Y4, connector 7–8			
		1695–2690			
Frequency range	MHz	1695–1850	1850–2200	2300–2360	2490–2690
Polarization		+45, -45	+45, -45	+45, -45	+45, -45
Gain	dBi	8.1	8.8	9.4	9.7
Horizontal Pattern:					
Half-power beamwidth	°	360 with -9 dB null, typical	360 with -10 dB null, typical	360 with -11 dB null, typical	360 with -14 dB null, typical
Vertical pattern:					
Half-power beamwidth	°	19	18	16	14
Electrical tilt	°	5	5	5	5
Impedance	Ohms	50	50	50	50
VSWR		< 1.5	< 1.5	< 1.5	< 1.5
Isolation	Intrasystem	> 25	> 25	> 25	> 23
	Intersystem	> 28	> 28	> 28	> 28
Intermodulation IM3	dBc	< -153 (2 x 43 dBm carrier)			
Max. power per input	W	150 (at 50°C ambient temperature)			

Values based on NGMN-P-BASTA (version 9.6) requirements.

All specifications are subject to change without notice.
 The latest specifications are available at www.kathreinusa.com

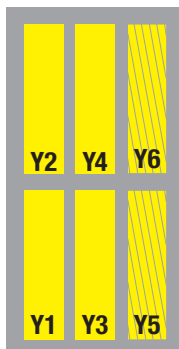
84010583, 84010584 2018-R1.1

84010583/84010584

Specifications		Y5, connector 9–10 Y6, connector 11–12				
Frequency range	MHz	5150–5350	5350–5470	5470–5725	5725–5850	5850–5925
Polarization		+45, -45				
Gain (typical/maximum)	dBi	5.1/5.8	4.1/4.2	4.5/6.0	5.3/6.0	5.9/5.9
Horizontal Pattern:						
Half-power beamwidth	°	360 with -15 dB null, typical				
Vertical pattern:						
Half-power beamwidth	°	27	34	30	22	22
Electrical tilt	°	4				
Impedance	Ohms	50				
VSWR		< 1.5	< 1.7	< 1.7	< 1.5	< 1.7
Isolation	Intrasystem					> 25
	Intersystem					> 28
Intermodulation IM3	dBc	N/A				
Max. power per input	W	50 (at 50°C ambient temperature)				
Max. input power* per input	W	1.0	–	1.0	1.0	–

Values based on NGMN-P-BASTA (version 9.6) requirements.

*To comply with EIRP restrictions for FCC Title 47 and part 15 for fixed outdoor point to multi-point applications.



Mechanical specifications		
Input	12 x 4.3-10 connector female	
Connector position	Bottom	
Weight	kg	16.3
	lb	36.0
Wind load (at Rated Wind Speed: 150km/h)	N	138
	lbf	32
Max. wind velocity	km/h	242
	mph	150
Mechanical interface	Hex nut (requires a 1-1/2" wrench) Torque setting: 122 Nm 90 lbf-ft	
Packing size	mm	755 x 480 x 480
	inches	29.7 / 18.9 / 18.9
Height / diameter	mm	626 / 407
	inches	24.6 / 16

To have better performance in 4X4 MIMO, we recommend to use Y1, Y3 (four connectors) as one set of MIMO and Y2, Y4 (four connectors) as another set of MIMO.

Accessories

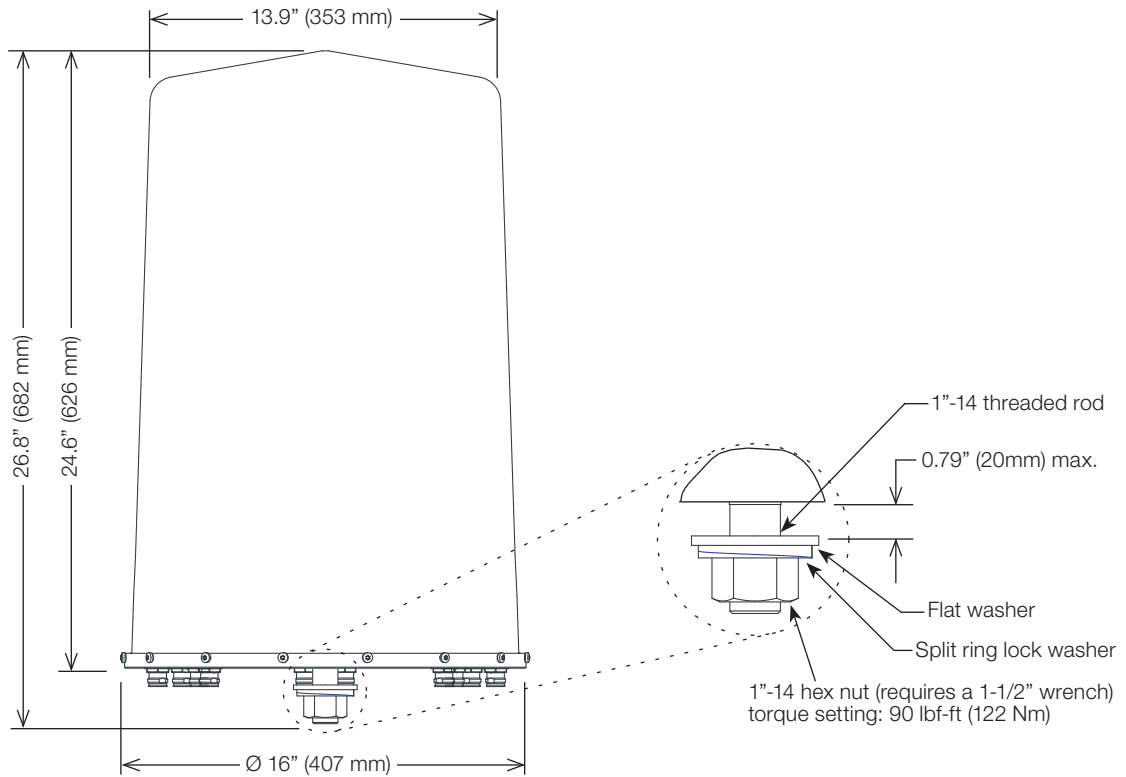
General Information

84010583/84010584

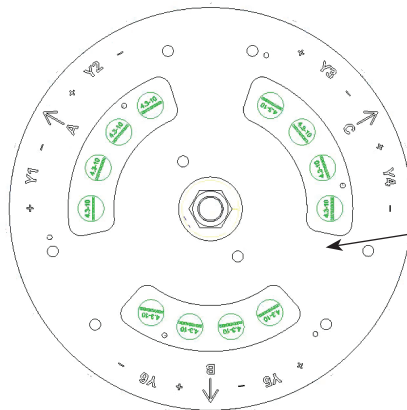
KATHREIN

Antenna area: Reflector screen: Aluminum.
 Radiator: Tin plated zinc.
 Cylindrical fiberglass radome: The max. radome diameter is 407mm (16").
 Fiberglass material guarantees optimum performance with regards to stability, stiffness, UV resistance and painting.
 Radome color 84010583: Brown.
 Radome color 84010584: Grey.

Mounting: Designed to be mounted on top of a utility pole using a custom mounting bracket supplied by the customer.



All dimensions in inches (mm)



Consult antenna patterns to determine direction of maximum signal strength per band.
 Reference point "A" corresponds to 0°

Avoid obstructing any drain holes

Customer supplied mounting bracket must fit within a 7" (178mm) diameter circle

All specifications are subject to change without notice.
 The latest specifications are available at www.kathreinusa.com

84010583, 84010584 2018-R1.1