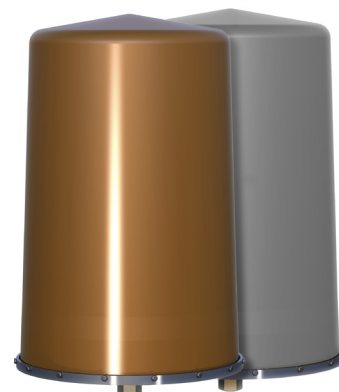


4-Port Omni Antenna
Frequency Range
Dual Polarization
HPBW
Fixed Electr. DT
Integrated Combiner

R1	Y1	R2	Y2
698-894	1695-2690	698-894	1695-2690
X	X	X	X
360°	360°	360°	360°
0°	2°	0°	2°
C		C	

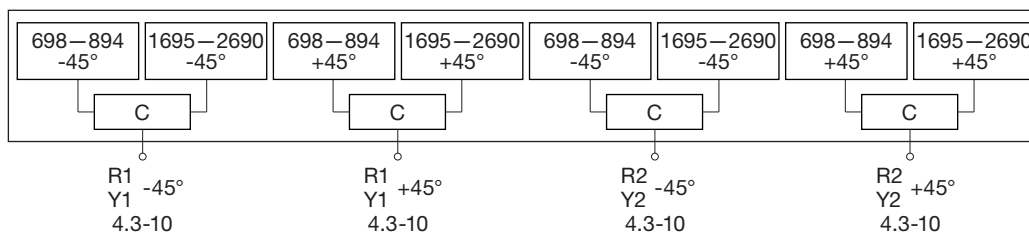
KATHREIN



4-Port Omni 698–894/1695–2690 C 360°/360°
 2.5/6/2.5/6 dBi 0°/2°T

Type No.	84010793	84010794
Radome color	Brown	Grey

Wideband		R1, Y1					
Frequency range	MHz	698–824	824–894	1695–2180	2200–2360	2490–2690	
Polarization	°	+45, -45	+45, -45	+45, -45	+45, -45	+45, -45	
Gain	dBi	2x 2.2	2x 2.8	2x 5.7	2x 6.1	2x 6.4	
Horizontal Pattern:							
Half-power beam width	°	360 (with 1–8 dB nulls LB, 6–16 dB nulls HB, typical)					
Vertical Pattern:							
Half-power beam width	°	80	74	29	27	24	
Electrical tilt	°	0, fixed	0, fixed	2, fixed	2, fixed	2, fixed	
Impedance	Ω	50					
VSWR		< 1.5	< 1.5	< 1.5	< 1.5	< 1.65	
Isolation	Intrasystem Intersystem	dB	> 23, typ. 27 > 25 (R1 // R2, Y1, Y2) > 25 (R2 // R1, Y1, Y2) > 27 (R2 // R1)	> 23, typ. 27 > 25 (R1 // R2, Y1, Y2) > 25 (R2 // R1, Y1, Y2) > 27 (R2 // R1)	> 23, typ. 27 > 25 (R1 // R2, Y1, Y2) > 25 (R2 // R1, Y1, Y2) > 27 (R2 // R1)	> 23, typ. 27 > 25 (R1 // R2, Y1, Y2) > 25 (R2 // R1, Y1, Y2) > 27 (R2 // R1)	> 20, typ. 24 > 22 (R1 // R2, Y1, Y2) > 22 (R2 // R1, Y1, Y2) > 24 (R2 // R1)
Intermodulation IM3	dBc	< -153 (2 x 43 dBm carrier)					
Max. power per input	W	100 (at 50°C ambient temperature)					



21012 rev-a, subject to alteration Ref. 9360000026a

All specifications are subject to change without notice.
 The latest specifications are available at www.kathreinusa.com

Wideband		R2, Y2					
Frequency range	MHz	698–824	824–894	1695–2180	2200–2360	2490–2690	
Polarization	°	+45, -45	+45, -45	+45, -45	+45, -45	+45, -45	
Gain	dBi	2x 2.4	2x 3.0	2x 5.9	2x 5.9	2x 6.1	
Horizontal Pattern:							
Half-power beam width	°	360 (with 1–8 dB nulls LB, 6–16 dB nulls HB, typical)					
Vertical Pattern:							
Half-power beam width	°	66	60	29	27	24	
Electrical tilt	°	0, fixed	0, fixed	2, fixed	2, fixed	2, fixed	
Impedance	Ω	50					
VSWR		< 1.5	< 1.5	< 1.5	< 1.5	< 1.65	
Isolation	Intrasystem Intersystem	dB	> 23, typ. 27 > 25 (R1 // R2, Y1, Y2) > 25 (R2 // R1, Y1, Y2) > 27 (R2 // R1)	> 23, typ. 27 > 25 (R1 // R2, Y1, Y2) > 25 (R2 // R1, Y1, Y2) > 27 (R2 // R1)	> 23, typ. 27 > 25 (R1 // R2, Y1, Y2) > 25 (R2 // R1, Y1, Y2) > 27 (R2 // R1)	> 23, typ. 27 > 25 (R1 // R2, Y1, Y2) > 25 (R2 // R1, Y1, Y2) > 27 (R2 // R1)	> 20, typ. 24 > 22 (R1 // R2, Y1, Y2) > 22 (R2 // R1, Y1, Y2) > 24 (R2 // R1)
Intermodulation IM3	dBc	< -153 (2 x 43 dBm carrier)					
Max. power per input	W	100 (at 50°C ambient temperature)					

Mechanical specifications		
Input	4 x 4.3-10 connector female	
Connector position	Bottom	
Weight	kg lb	18.1 39.9
Wind load (at Rated Wind Speed: 150km/h)	N lbf	138 32
Max. wind velocity	km/h mph	242 150
Mechanical interface	Hex nut (requires a 1-1/2" wrench) Torque setting: 122 Nm 90 lbf-ft	
Packing size	mm inches	755 x 480 x 480 29.7 / 18.9 / 18.9
Height / diameter	mm inches	626 / 407 24.6 / 16

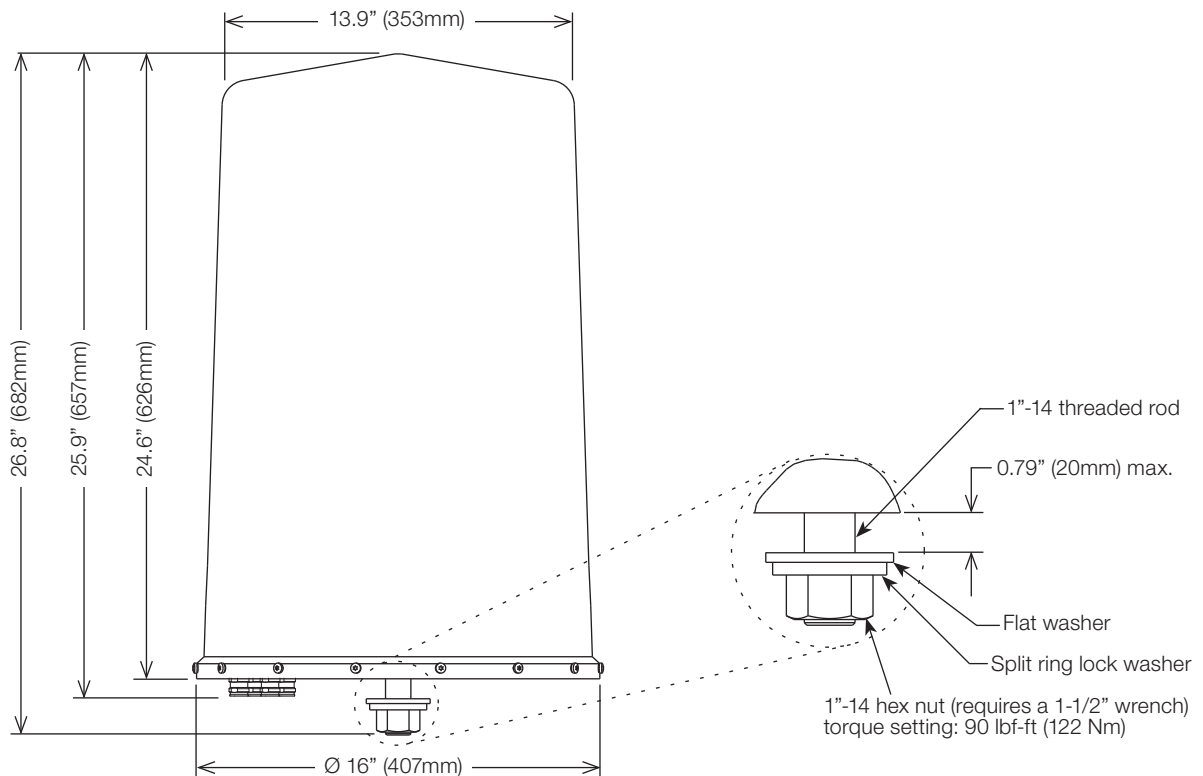
21012 rev-a, subject to alteration Ref. 9360000026a

Accessories

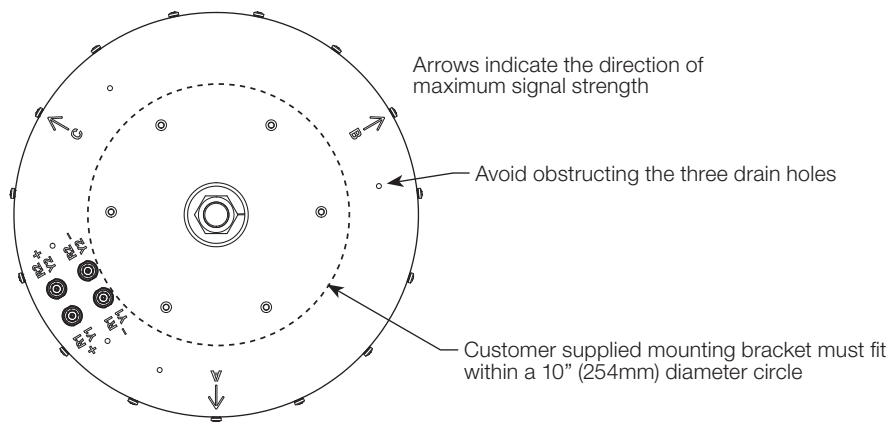
General Information

Antenna area: Reflector screen: Aluminum.
 Radiator: Tin plated zinc.
 Cylindrical fiberglass radome: The max. radome diameter is 407mm (16").
 Fiberglass material guarantees optimum performance with regards to stability, stiffness, UV resistance and painting.
 Radome colour 84010793: Brown.
 Radome colour 84010794: Grey.

Mounting: Designed to be mounted on top of a utility pole using a custom mounting bracket supplied by the customer.



All dimensions in inches (mm)



21012 rev-a, subject to alteration Ref. 936000026a