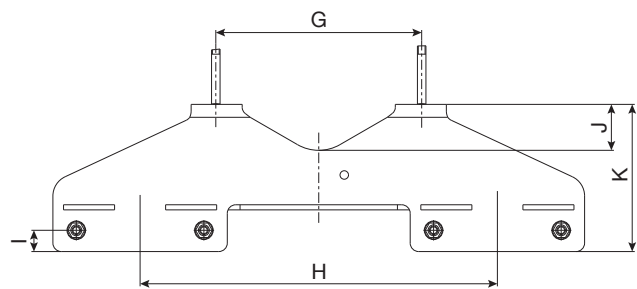
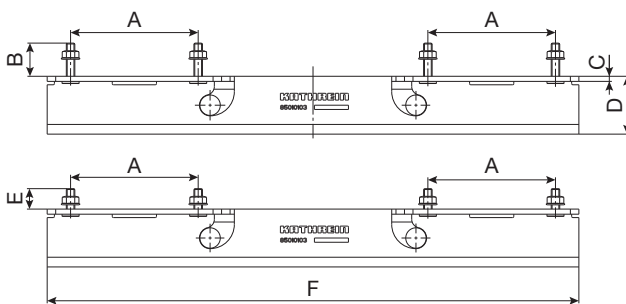
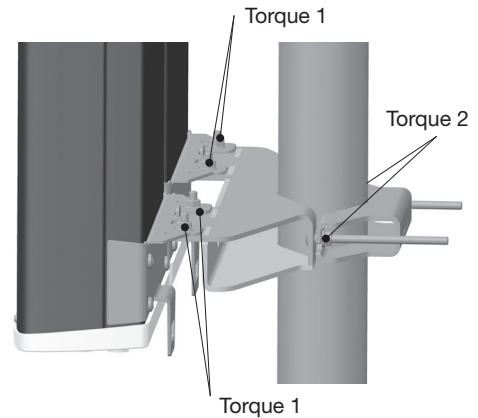


(Wind Load Category “XH”)

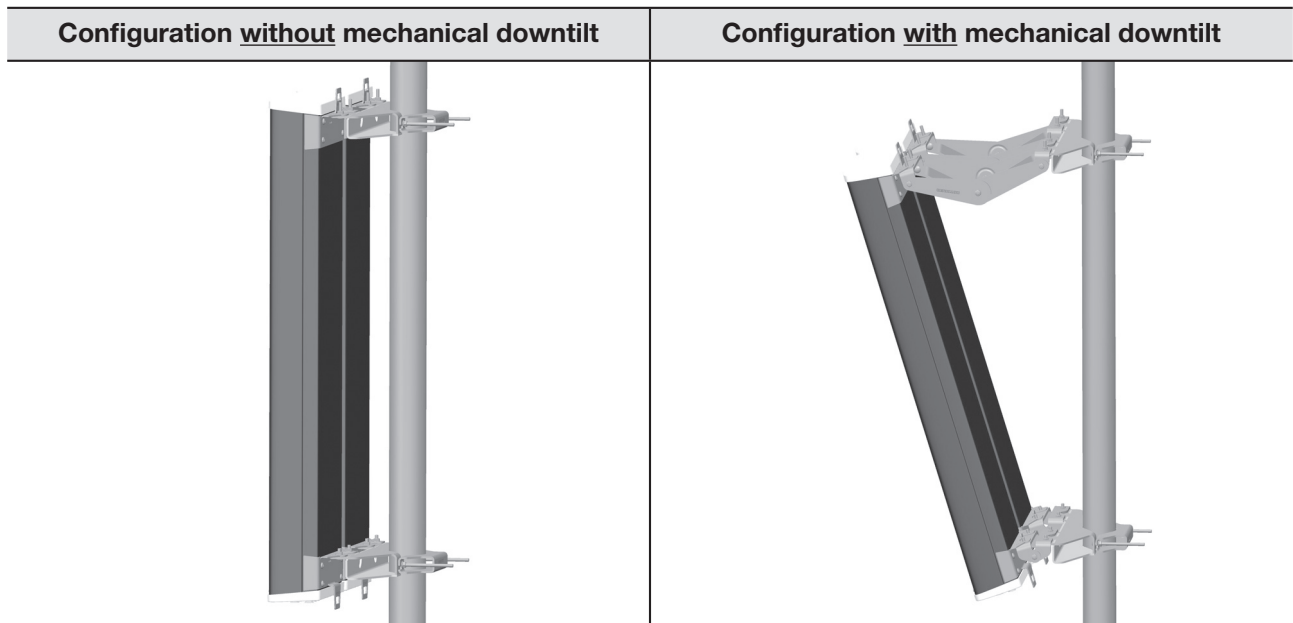
Use this mounting kit for Panels with a maximum width of 378 mm | 14.9 inches

Type No.		85010103	85010108
Contents		2 x clamps and mounting accessories	
Material: – Clamp and screws – Nuts and washers		Hot-dip galvanized steel Stainless steel	
Weight	kg	20.5	27.5
	lb	45.2	60.6
Suitable for mast Ø	mm	110 – 220	210 – 380
	inches	4.3 – 8.7	8.3 – 15.0
Torque M_A	1	40	40
Torque M_A	2	25	40
Windload category (Antenna)		“XH”	



Type		A	B	C	D	E	F	G	H	I	J	K
85010103	mm	150	39	6	68	24	625	242	420	25	173	54
	inches	5.91	1.54	0.24	2.68	0.84	24.61	9.53	16.54	0.98	6.81	2.13
85010108	mm	150	39	6	68	24	625	392	420	25	221	102
	inches	5.91	1.54	0.24	2.68	0.84	24.61	14.43	16.54	0.98	8.7	4.02

Please note: Kathrein does not recommend to use counter nuts.



Mounting accessories (order separately)

Type No.	Description	Weight approx. kg lb	Units per mounting kit
85010099	1 downtilt kit	10.6 23.4	2
86010104	1 offset	2.9 6.4	4

936.5271 Subject to alteration.