

4-Port Antenna
Frequency Range
Dual Polarization
HPBW

Y1 **Y2**

1695-2690 **1695-2690**

X **X**

65° **65°**

Adjust. Electr. DT

2°-14° **2°-14°**

Enhanced Sidelobe Suppression

18dB **18dB**

Downtilt set by hand or by optional RCU (Remote Control Unit)



4-Port Antenna 1695-2690/1695-2690 65°/65° 18/18dBi 2°-14°/2°-14°T ESLS

Type No.		80020622			
Left side, highband		Y1, connector 1-2			
		1695-2690			
Frequency Range	MHz	1695 – 1880	1920 – 2180	2300 – 2400	2490 – 2690
Gain at mid Tilt	dBi	17.4	18.0	18.6	18.8
Gain over all Tilts	dBi	17.3 ± 0.4	17.9 ± 0.4	18.3 ± 0.4	18.6 ± 0.4
Horizontal Pattern:					
Azimuth Beamwidth	°	66 ± 3.2	63 ± 2.6	60 ± 3.5	56 ± 2.6
Front-to-Back Ratio, Total Power, ± 30°	dB	> 24	> 24	> 26	> 23
Cross Polar Discrimination at Boresight	dB	> 22	> 22	> 22	> 18
Cross Polar Discrimination over Sector	dB	> 12.5	> 10.0	> 9.5	> 13.0
Vertical Pattern:					
Elevation Beamwidth	°	6.8 ± 0.5	6.1 ± 0.5	5.2 ± 0.3	4.9 ± 0.3
Electrical Downtilt continuously adjustable	°	2.0 – 14.0			
Tilt Accuracy	°	< 0.3	< 0.3	< 0.2	< 0.2
First Upper Side Lobe Suppression	dB	> 20	> 20	> 20	> 20
Upper Side Lobe Suppression, 20° Sector above Main Beam	dB	> 17	> 17	> 16	> 16
Cross Polar Isolation	dB	> 30			
Port to Port Isolation	dB	> 30 (Y1 // Y2)			
Max. Effective Power per Port	W	250 (at 50 °C ambient temperature)			
Max. Effective Power Port 1-2	W	500 (at 50 °C ambient temperature)			

Values based on NGMN-P-BASTA (version 9.6) requirements.



Right side, highband		Y2, connector 3-4			
		1695-2690			
Frequency Range	MHz	1695 – 1880	1920 – 2180	2300 – 2400	2490 – 2690
Gain at mid Tilt	dBi	17.2	17.9	18.6	18.9
Gain over all Tilts	dBi	17.1 ± 0.4	17.8 ± 0.5	18.4 ± 0.4	18.7 ± 0.5
Horizontal Pattern:					
Azimuth Beamwidth	°	68 ± 3.8	64 ± 4.1	59 ± 2.6	55 ± 2.0
Front-to-Back Ratio, Total Power, ± 30°	dB	> 25	> 26	> 25	> 23
Cross Polar Discrimination at Boresight	dB	> 22	> 22	> 22	> 19
Cross Polar Discrimination over Sector	dB	> 13.5	> 11.0	> 9.5	> 12.0
Vertical Pattern:					
Elevation Beamwidth	°	6.8 ± 0.4	6.0 ± 0.5	5.2 ± 0.3	4.8 ± 0.2
Electrical Downtilt continuously adjustable	°	2.0 – 14.0			
Tilt Accuracy	°	< 0.3	< 0.3	< 0.2	< 0.2
First Upper Side Lobe Suppression	dB	> 19	> 19	> 20	> 20
Upper Side Lobe Suppression, 20° Sector above Main Beam	dB	> 18	> 17	> 17	> 15
Cross Polar Isolation	dB	> 30			
Port to Port Isolation	dB	> 30 (Y2 // Y1)			
Max. Effective Power per Port	W	250 (at 50 °C ambient temperature)			
Max. Effective Power Port 3-4	W	500 (at 50 °C ambient temperature)			

Values based on NGMN-P-BASTA (version 9.6) requirements.

Electrical specifications, all systems		
Impedance	Ω	50
VSWR		< 1.5
Return Loss	dB	> 14
Interband Isolation	dB	> 30
Passive Intermodulation	dBc	< -153 (2 x 43 dBm carrier)
Polarization	$^\circ$	-45, +45
Max. Effective Power for the Antenna	W	700 (at 50 °C ambient temperature)

Values based on NGMN-P-BASTA (version 9.6) requirements.

Mechanical specifications		
Input		4 x 4.3-10 female
Connector Position		bottom
Adjustment Mechanism		2x, Position bottom continuously adjustable
Wind load (at Rated Wind Speed: 150 km/h)	N lbf	Frontal: 565 127 Maximal: 620 139
Max. Wind Velocity	km/h mph	200 124
Height / Width / Depth	mm inches	1471 / 275 / 86 57.9 / 10.8 / 3.4
Category of Mounting Hardware		M (Medium)
Weight	kg lb	13.0 / 15.2 (clamps incl.) 28.7 / 33.5 (clamps incl.)
Packing Size	mm inches	1791 / 298 / 119 70.5 / 11.7 / 4.7
Scope of Supply		Panel and 2 units of clamps for 42–115 mm 1.7–4.5 inches diameter

Accessories (order separately if required)

Type No.	Description	Remarks mm inches	Weight approx. kg lb	Units per antenna
731651	1 clamp	Mast diameter: 28 – 60 1.1 – 2.4	0.8 1.8	2
85010002	1 clamp	Mast diameter: 110 – 220 4.3 – 8.7	2.7 6.0	2
85010003	1 clamp	Mast diameter: 210 – 380 8.3 – 15.0	4.8 10.6	2
737978	1 downtilt kit	Downtilt angle: 0° – 15°	2.3 5.1	1

Accessories (included in the scope of supply)

738546	1 clamp	Mast diameter: 42 – 115 1.7 – 4.5	1.1 2.4	2
--------	---------	-------------------------------------	-----------	---

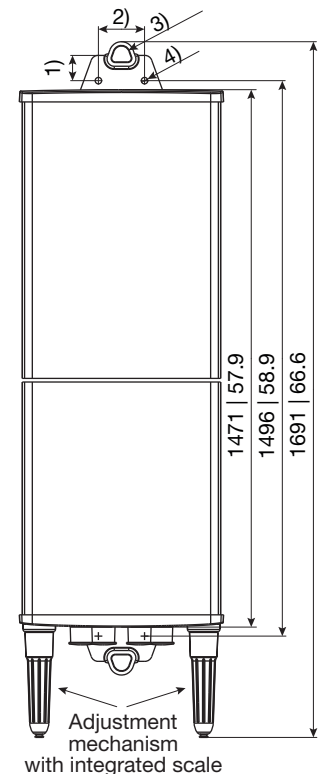
For downtilt mounting use the clamps for an appropriate mast diameter together with the downtilt kit.
Wall mounting: No additional mounting kit needed.

Material:

Reflector screen: Aluminum. **Radiator:** Tin-plated zinc.
Flat fiberglass radome: The max. radome depth is only 86 mm | 3.4 inches. Fiberglass material guarantees optimum performance with regards to stability, stiffness, UV resistance and painting. The color of the radome is grey.
All screws and nuts: Stainless steel.

Grounding:

The metal parts of the antenna including the mounting kit and the inner conductors are DC grounded.



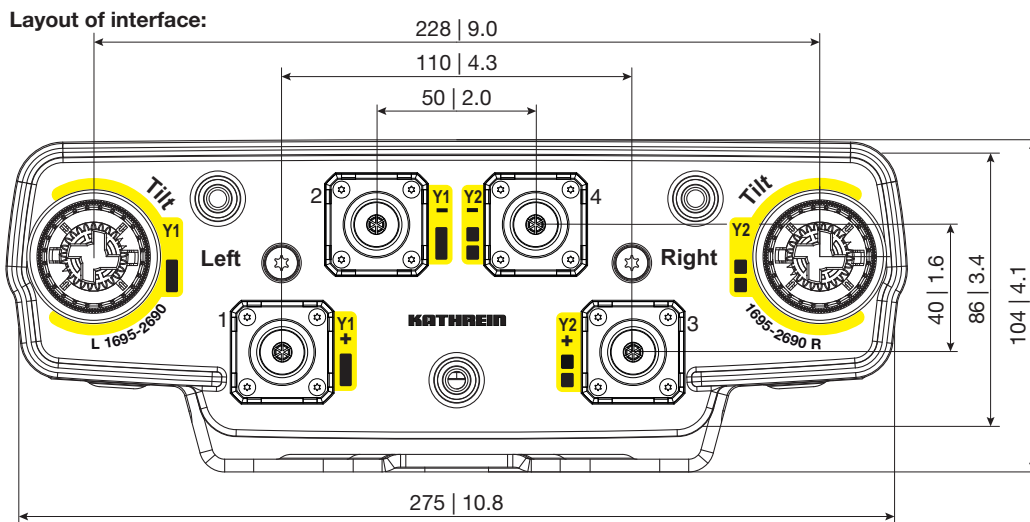
- 1) 35 | 1.4 3) \varnothing 22 | 0.9
2) 64 | 2.5 4) \varnothing 9 | 0.4

All dimensions in mm | inches

936.5356/a ngmn Subject to alteration.

All specifications are subject to change without notice.
The latest specifications are available at www.kathreinusa.com

80020622 Page 3 of 4



Bottom view
All dimensions in mm | inches

Correlation Table

Frequency range	Array	Connector
1695–2690 MHz	Y1	1–2
1695–2690 MHz	Y2	3–4



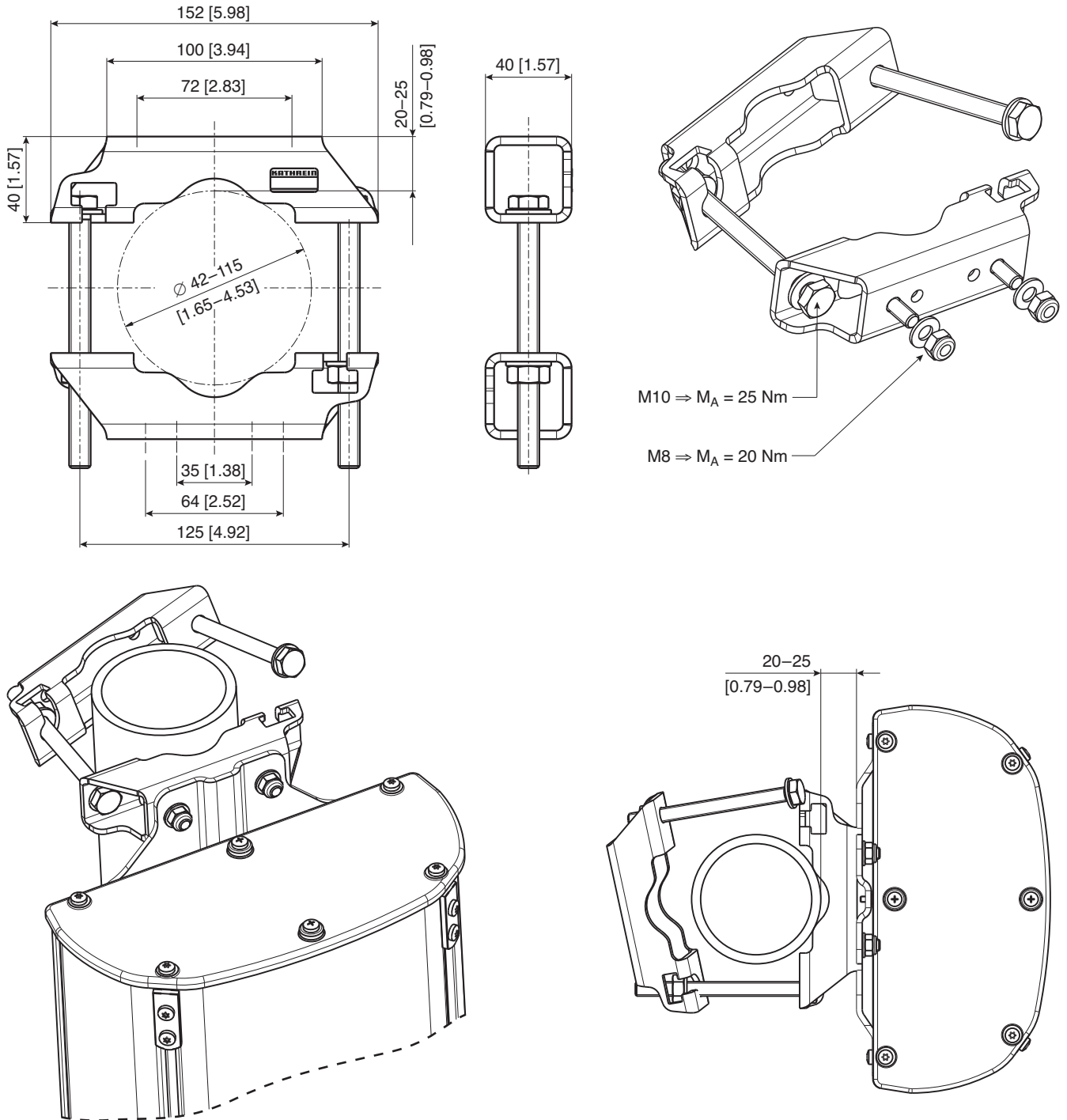
Any previous data sheet issues have now become invalid.

Mounting Hardware

Clamp Included in the Scope of Supply

KATHREIN

Suitable for mast diameter	(mm) [inches]	42 – 115 [1.65 – 4.53]
Antenna – mast distance	(mm) [inches]	20 – 25 [0.79 – 0.98]
Material of clamp and screws		Hot-dip galvanized steel / stainless steel
Weight	(kg) [lb]	1.1 [2.43]



936.3920/c Subject to alteration.

**Please note: Kathrein does not recommend to use counter nuts.
The additional nuts supplied are only meant as spares.**

All dimensions in mm and [inches]

Any previous data sheet issues have now become invalid.

All specifications are subject to change without notice.
The latest specifications are available at www.kathreinusa.com

738546 Page 1 of 1