

RX-860B Radome Protected Yagi Antenna

KATHREIN

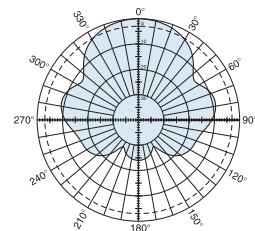
The KUSA RX series are rugged broadband yagi antennas housed in rugged fiberglass radomes, fabricated of 6061/T6 aluminum rod and 6063-T6 extruded pipe, anodized for maximum reliability and corrosion resistance. The radome protects the antenna against snow, ice and other adverse environmental conditions which can degrade performance and cause damage. The hardware and fastenings are stainless steel. The internal balun, coax feed and connector are sealed in a foam potting system to prevent moisture penetration and assure long service life in severe environmental conditions. The heavy aluminum mounting casting allows installation for V or H polarization.

The RX-860B is specifically designed for cellular fixed-station applications in the 824–894 MHz band.

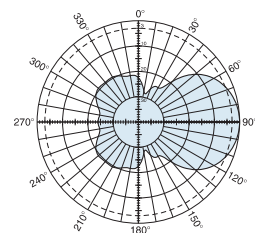


(Shown vertically polarized)

Specifications	
Frequency range	824 – 894 MHz
Gain	12 dBi
Impedance	50 ohms
VSWR	<1.5:1 maximum (1.35:1 typical)
Polarization	Horizontal or vertical
Front-to-back ratio	>18 dB
Maximum input power	100 watts (at 50°C)
H-plane beamwidth	58 degrees (half-power)
E-plane beamwidth	44 degrees (half-power)
Connector	N female
Weight	16.0 lb (7.3 kg)
Dimensions	29 x 17 x 12 inches (737 x 432 x 305 mm)
Wind load at 93 mph (150 kph)	
Side / Top / Rear	63 lbf / 16 lbf / 37 lbf (280 N) / (71 N) / (165 N)
Wind survival rating*	120 mph (193 kph)
Shipping dimensions	31 x 20 x 14.5 inches (787 x 508 x 368 mm)
Shipping weight	28.0 lb (12.7 kg)
Mounting	Mounting kits available for masts of 2.375 to 4.5 inch (60 to 114 mm) OD.



H-plane
Horizontal pattern — V-polarization
Vertical pattern — H-polarization



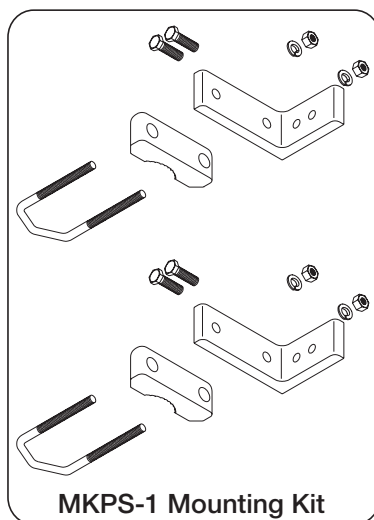
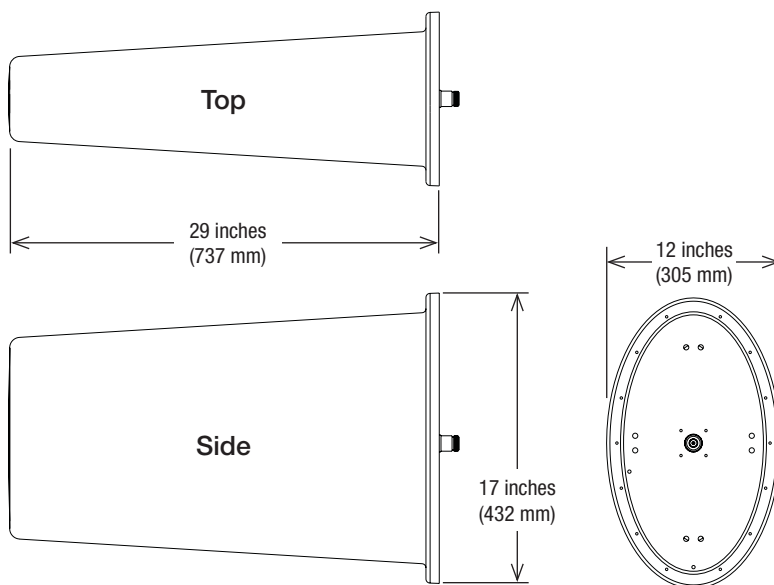
E-plane
Horizontal pattern — H-polarization
Vertical pattern — V-polarization

*Mechanical design is based on environmental conditions as stipulated in TIA-222-G-2 (December 2009) and/or ETS 300 019-1-4 which include the static mechanical load imposed on an antenna by wind at maximum velocity. See the Engineering Section of the catalog for further details.

100581 subject to alteration



All specifications are subject to change without notice.
The latest specifications are available at www.kathreinusa.com



MKPS-1 Mounting Kit

Mounting options

Model	Description
MKPS-1 (shown)	Mounting kit for 2.375 inch (60 mm) OD mast
MKPS-2	Mounting kit for 2.875 inch (73 mm) OD mast
MKPS-3	Mounting kit for 3.5 inch (89 mm) OD mast
MKPS-4	Mounting kit for 4 inch (102 mm) OD mast
MKPS-5	Mounting kit for 4.5 inch (114 mm) OD mast

100581 subject to alteration