

HDCA-5CP/RM

FM Yagi Antenna

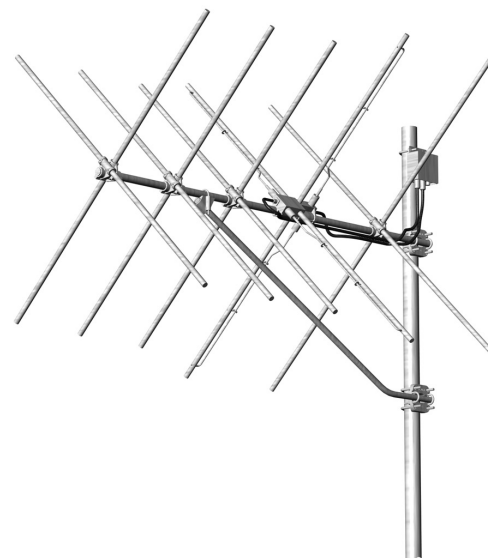
88—108 MHz

KATHREIN

The KUSA HDCA-5CP/RM is a ruggedly built yagi antenna, designed for professional FM transmit and receive applications.

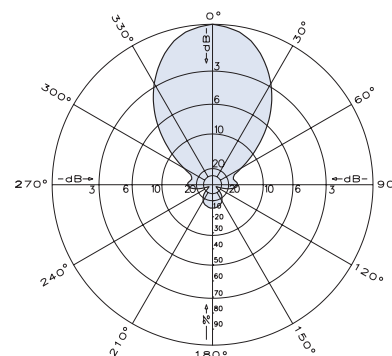
Like all KUSA antennas, the HDCA-5CP antennas are made of the finest materials using state of the art electrical and mechanical designs resulting in superior performance and long service life.

The HDCA-5CP antennas may be used stand alone or in stacked arrays for higher gain, increased side-lobe suppression, or custom azimuth patterns.

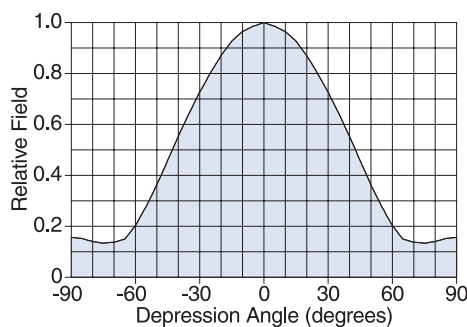


Specifications

Frequency range	Any specified FM channel 88 to 108 MHz
Gain	4.5 dBd
Power gain	2.82
Impedance	50 or 75 ohms
VSWR	<1.5:1
Polarization	Circular
Front-to-back ratio	>14 dB
Maximum input power	250 watts 50Ω 100 watts 75Ω
Azimuth pattern	62 degrees (half-power)
Elevation pattern	62 degrees (half-power)
Connector	50 or 75Ω N female
Weight	34.5 lb (15.6 kg)
Dimensions	74.1 x 54 x 49 inches maximum (1882 x 1372 x 1245 mm)
Wind load at 100 mph (161 kph)	
Front	79 lbf (351 N)
Wind survival rating*	120 mph (193 kph)
Shipping dimensions	84 x 13 x 8 inches maximum (2134 x 330 x 203 mm)
Shipping weight	37.5 lb (17 kg)
Mounting	For masts of 2.375 inch (60 mm) OD.



Azimuth pattern (E-plane - typical)



Elevation pattern

*Mechanical design is based on environmental conditions as stipulated in TIA-222-G-2 (December 2009) and/or ETS 300 019-1-4 which include the static mechanical load imposed on an antenna by wind at maximum velocity. See the Engineering Section of the catalog for further details.

10768c subject to alteration

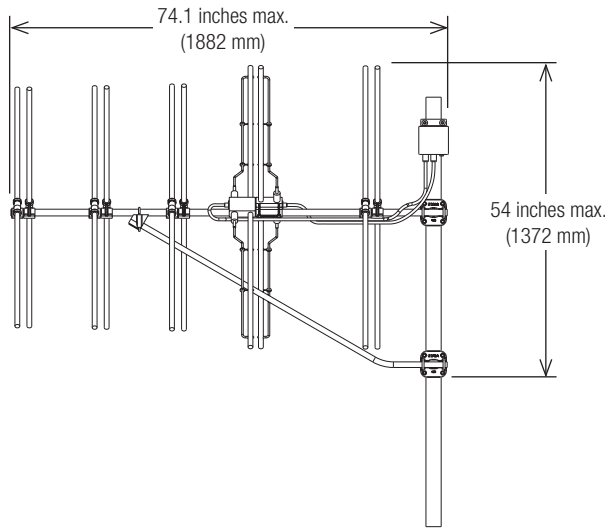
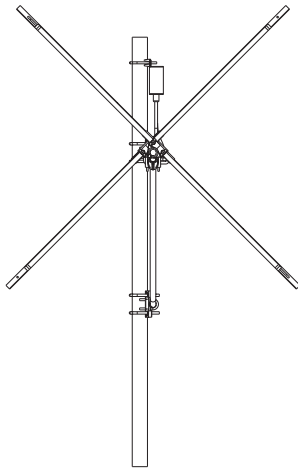
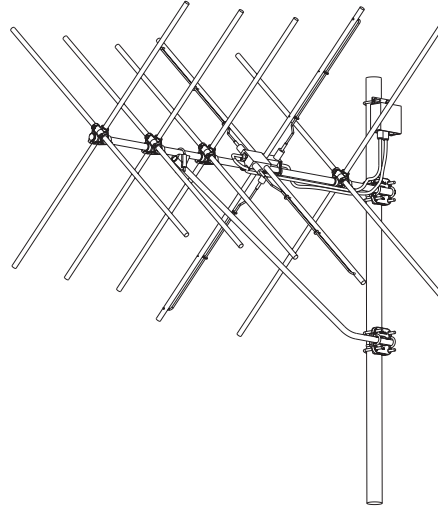
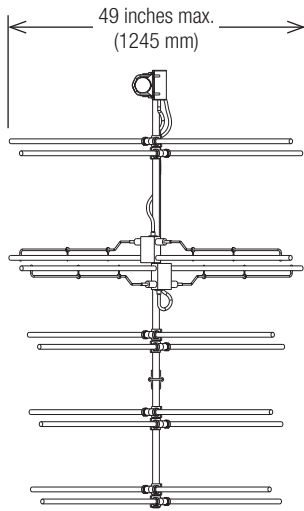


All specifications are subject to change without notice.
The latest specifications are available at www.kathreinusa.com

HDCA-5CP (FM) Page 1 of 2

HDCA-5CP/RM
FM Yagi Antenna
88—108 MHz

KATHREIN



10768c subject to alteration