

CL-FM

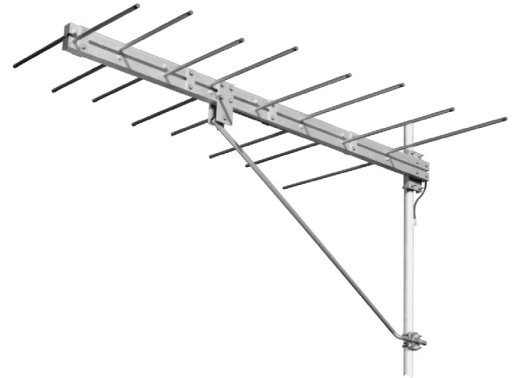
FM Log-Periodic Antenna

88—108 MHz

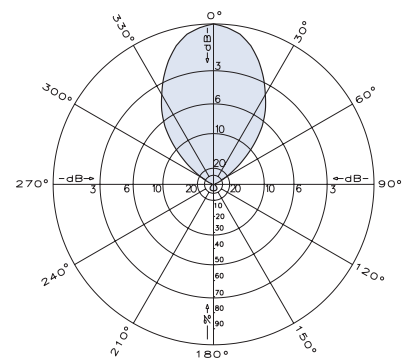
The KUSA CL-FM is a ruggedly built, log-periodic antenna, designed for professional FM transmit and receive applications.

Like all KUSA antennas, the CL-FM is made of the finest materials using state of the art electrical and mechanical designs resulting in superior performance and long service life.

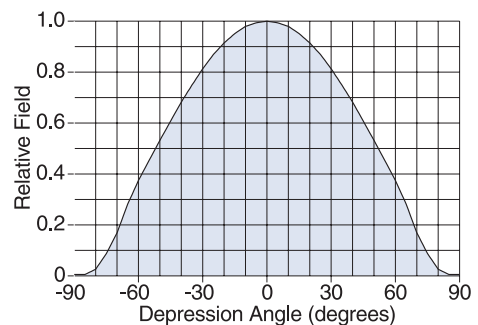
The CL-FM may be used stand alone or in stacked arrays for higher gain, increased side-lobe suppression, or custom azimuth patterns.



Specifications	
Frequency range	88—108 MHz (broadband)
Gain	7 dBd
Power gain	5.01
Impedance	50 or 75 ohms
VSWR	<1.5:1
Polarization	Horizontal or vertical
Front-to-back ratio	>25 dB
Maximum input power	250 watts, type "N" 75 ohm connector 500 watts, type "N" 50 ohm connector
H-plane beamwidth	78 degrees (half-power)
E-plane beamwidth	52 degrees (half-power)
Connector	N female (50 or 75 ohms)
Weight	45 lb (20.4 kg)
Dimensions	104 x 67.9 inches (2642 x 1725 mm)
Wind load at 100 mph (161 kph)	
Front	138 lbf (614 N)
Wind survival rating*	120 mph (193 kph)
Shipping dimensions	116 x 14.5 x 6 inches (2946 x 369 x 153 mm)
Shipping weight	56.0 lb (25.4 kg)
Mounting	For masts of 2.375 inch (60 mm) OD.
CL-FM/HCM	Horizontal polarization center-mount
CL-FM/HRM	Horizontal polarization rear-mount
CL-FM/VRM	Vertical polarization rear-mount



Azimuth pattern (E-plane)



Elevation pattern (H-plane)

*Mechanical design is based on environmental conditions as stipulated in TIA-222-G-2 (December 2009) and/or ETS 300 019-1-4 which include the static mechanical load imposed on an antenna by wind at maximum velocity. See the Engineering Section of the catalog for further details.

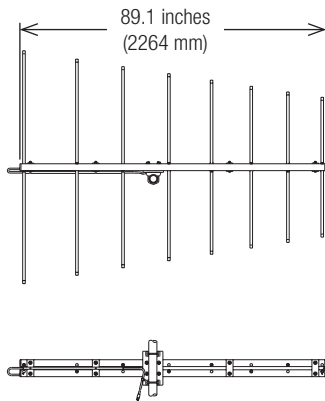
10492g subject to alteration



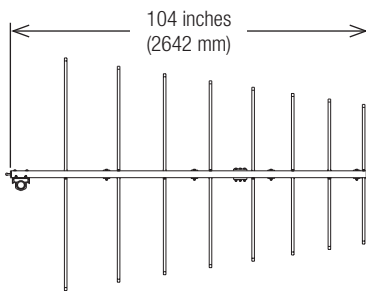
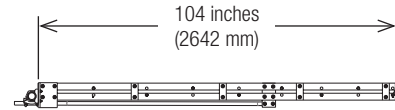
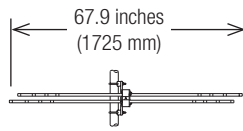
All specifications are subject to change without notice.
The latest specifications are available at www.kathreinusa.com

CL-FM
FM Log-Periodic Antenna
88—108 MHz

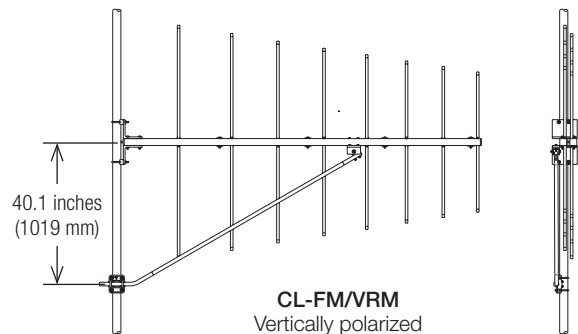
KATHREIN



CL-FM/HCM
 Horizontally polarized

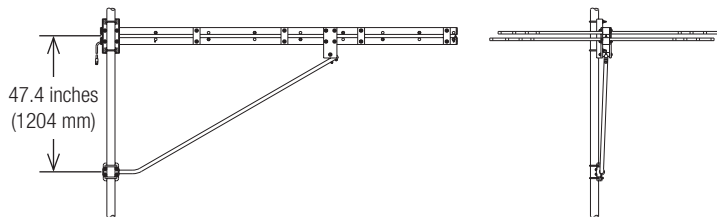


CL-FM/HRM
 Horizontally polarized



CL-FM/VRM
 Vertically polarized

Vertically polarized antennas require lateral stabilization, (not supplied) to prevent the antenna from turning on the mounting pipe.



Order information

Model	Description
CL-FM/HCM/50N	Antenna with 50Ω N connector Horizontal polarization center-mount
CL-FM/HCM/75N	Antenna with 75Ω N connector Horizontal polarization center-mount
CL-FM/HRM/50N	Antenna with 50Ω N connector Horizontal polarization rear-mount
CL-FM/HRM/75N	Antenna with 75Ω N connector Horizontal polarization rear-mount
CL-FM/VRM/50N	Antenna with 50Ω N connector Vertical polarization rear-mount

10492g subject to alteration