

# CA2-220

## Dipole/Reflector Antenna 216—235 MHz (broadband)

**KATHREIN**

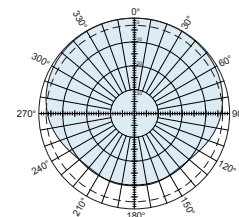
The KUSA CA2-220 broadband dipole antenna is intended for use in professional fixed-station applications in the 216—235 MHz band. It features:

- Broad pattern with moderate gain.
- Triple laminated dipole.
- Anodized aluminum and stainless steel construction.
- Extreme weather survival design.
- Entire balun and feed assembly sealed against weather damage.
- Stainless steel hardware throughout.
- Entire antenna at DC ground potential.

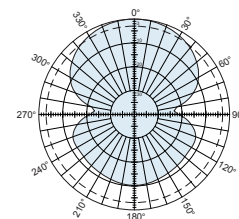


(Shown vertically polarized)

Specifications	
Frequency range	216—235 MHz
Gain	4.5 dBi
Impedance	50 ohms
VSWR	<1.3:1
Polarization	Horizontal or vertical
Front-to-back ratio	9 dB
Maximum input power	500 watts (at 50°C)
H-plane beamwidth	172 degrees (half-power)
E-plane beamwidth	74 degrees (half-power)
Connector	N female
Weight	6 lb (2.7 kg)
Dimensions	28.5 x 22.5 inches (724 x 572 mm)
Equivalent flat plate area	0.55 ft <sup>2</sup> (.05 m <sup>2</sup> )
Wind survival rating*	200 mph (322 kph)
Shipping dimensions	30 x 6 x 5 inches (762 x 152 x 127 mm)
Shipping weight	7.0 lb (3.2 kg)
Mounting	For masts of 2 to 2.375 inch (51 to 60 mm) OD.



H-plane  
Horizontal pattern — V-polarization  
Vertical pattern — H-polarization



E-plane  
Horizontal pattern — H-polarization  
Vertical pattern — V-polarization

\*Mechanical design is based on environmental conditions as stipulated in TIA-222-G-2 (December 2009) and/or ETS 300 019-1-4 which include the static mechanical load imposed on an antenna by wind at maximum velocity. See the Engineering Section of the catalog for further details.

10115b subject to alteration

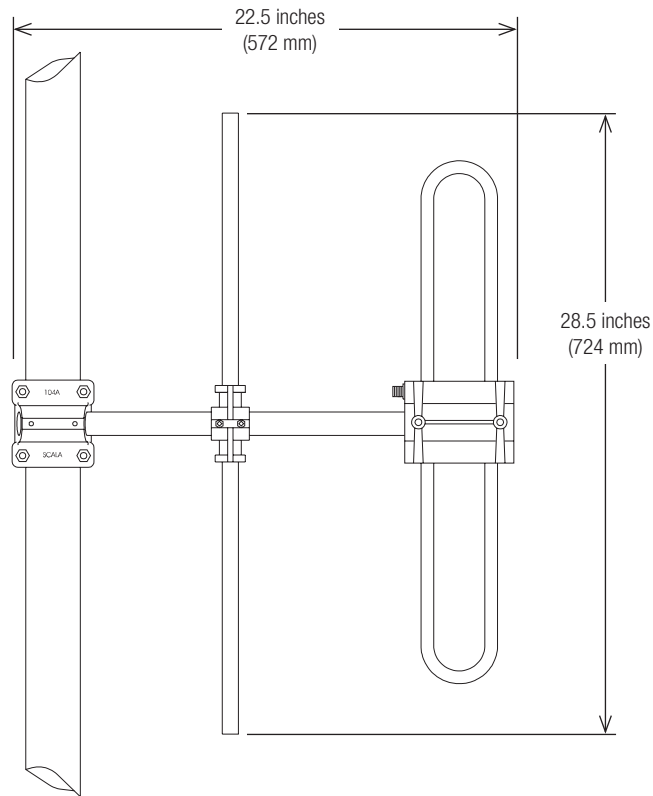


All specifications are subject to change without notice.  
The latest specifications are available at [www.kathreinusa.com](http://www.kathreinusa.com)

# CA2-220

Dipole/Reflector Antenna  
216—235 MHz (broadband)

# KATHREIN



(Shown vertically polarized)

10115b subject to alteration