

6-Port Omni Antenna
 Frequency Range
 Dual Polarization
 HPBW
 Fixed Electr. DT

R1	Y1	Y2
698-894	1695-2690	1695-2690
X	X	X
360°	360°	360°
2°	2°	2°

KATHREIN



6-Port Omni 698–894/1695–2690/1695–2690 360°/360°/360°
 5.5/6.5/6.5dBi 2°/2°/2°T

Type No.	80010783	80010784
Radome color	Brown	Grey

Lowbands		R1	
		698–894	
Frequency range	MHz	698–824	824–894
Polarization	°	+45, -45	+45, -45
Gain	dBi	2 x 5.0	2 x 5.5
Horizontal Pattern:			
Half-power beam width	°	360 (with 2–10 dB nulls, typical)	
Vertical Pattern:			
Half-power beam width	°	42	36
Electrical tilt	°	2, fixed	2, fixed
Impedance	Ω	50	
VSWR		< 1.5	
Isolation	Intrasystem Intersystem	> 25, typ. 27 > 28 (R1 // Y1, Y2)	> 25, typ. 27 > 28 (R1 // Y1, Y2)
Intermodulation IM3	dBc	< -153 (2 x 43 dBm carrier)	
Max. power per input	W	250 (at 50°C ambient temperature)	



21003e, subject to alteration

All specifications are subject to change without notice.
 The latest specifications are available at www.kathreinusa.com

Highband		Y1		
		1695–2690		
Frequency range	MHz	1695–2180	2200–2360	2490–2690
Polarization	°	+45, -45	+45, -45	+45, -45
Gain	dBi	2 x 6	2 x 6.4	2 x 6.7
Horizontal Pattern:				
Half-power beam width	°	360 (with 6–16 dB nulls, typical)		
Vertical Pattern:				
Half-power beam width	°	28	27	25
Electrical tilt	°	2, fixed		
Impedance	Ω	50 Ω		
VSWR		< 1.5	< 1.5	< 1.65
Isolation	Intrasystem Intersystem	> 23 typ, 27 > 28 (Y1 // R1) > 30 (Y2 // Y1)	> 23 typ, 27 > 28 (Y1 // R1) > 30 (Y2 // Y1)	> 22 typ, 24 > 28 (Y1 // R1) > 30 (Y2 // Y1)
Intermodulation IM3	dBc	< -153 (2 x 43 dBm carrier)		
Max. power per input	W	150 (at 50° C ambient temperature)		

Highband		Y2		
		1695–2690		
Frequency range	MHz	1695–2180	2200–2360	2490–2690
Polarization	°	+45, -45	+45, -45	+45, -45
Gain	dBi	2 x 6	2 x 6.2	2 x 6.4
Horizontal Pattern:				
Half-power beam width	°	360 (with 6–16 dB nulls, typical)		
Vertical Pattern:				
Half-power beam width	°	30	28	26
Electrical tilt	°	2, fixed		
Impedance	Ω	50 Ω		
VSWR		< 1.5	< 1.5	< 1.65
Isolation	Intrasystem Intersystem	> 25 typ, 27 > 28 (Y2 // R1) > 30 (Y2 // Y1)	> 25 typ, 27 > 28 (Y2 // R1) > 30 (Y2 // Y1)	> 25 typ, 27 > 28 (Y2 // R1) > 30 (Y2 // Y1)
Intermodulation IM3	dBc	< -153 (2 x 43 dBm carrier)		
Max. power per input	W	150 (at 50° C ambient temperature)		

Mechanical specifications		
Input	6 x 4.3-10 connector female	
Connector position	Bottom	
Weight	kg lb	17.7 39
Wind load (at Rated Wind Speed: 150km/h)	N lbf	138 32
Max. wind velocity	km/h mph	242 150
Mechanical interface	Hex nut (requires a 1-1/2" wrench) Torque setting: 122 Nm 90 lbf-ft	
Packing size	mm inches	755 x 480 x 480 29.7 / 18.9 / 18.9
Height / diameter	mm inches	626 / 407 24.6 / 16

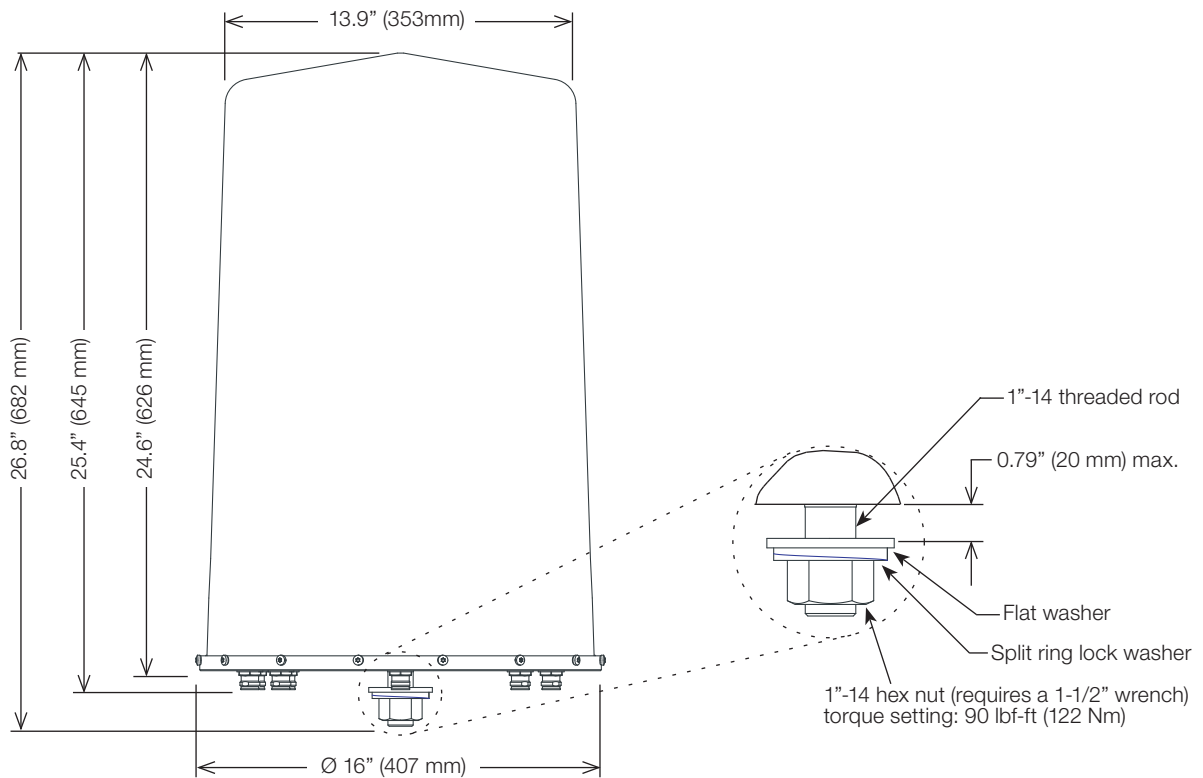
21003e, subject to alteration

Accessories

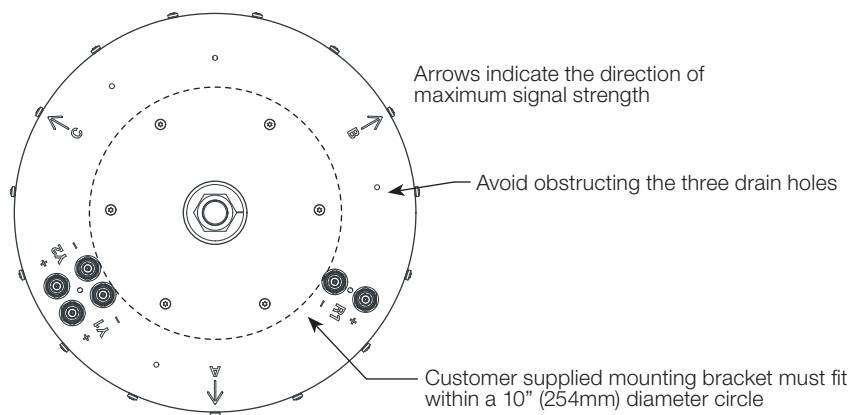
General Information

Antenna area: Reflector screen: Aluminum.
 Radiator: Tin plated zinc.
 Cylindrical fiberglass radome: The max. radome diameter is 407mm (16").
 Fiberglass material guarantees optimum performance with regards to stability, stiffness, UV resistance and painting.
 Radome color **80010783: Brown.**
 Radome color **80010784: Grey.**

Mounting: Designed to be mounted on top of a utility pole using a custom mounting bracket supplied by the customer.



All dimensions in inches (mm)



21003e, subject to alteration

All specifications are subject to change without notice.
 The latest specifications are available at www.kathreinusa.com