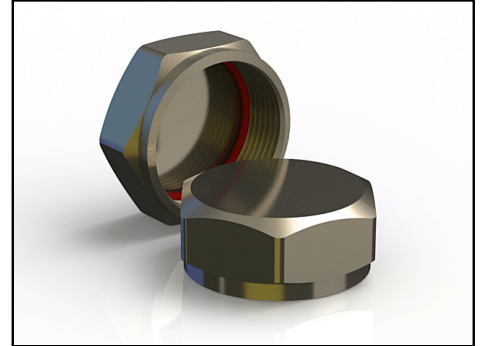
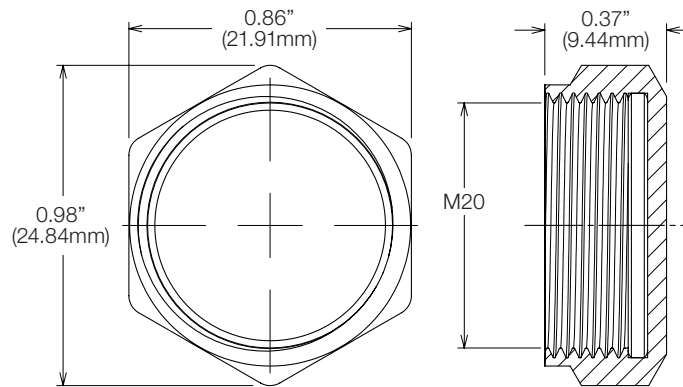


Protection cap for 4.3-10 female connectors.



Material specifications	840 10010
Material	Brass
Surface treatment	Nickel plate
Temperature rating	-40°C ±85°C
Immersion protection rating	IP 67 - Protects equipment from immersion in water with a depth of up to 1 meter (or 3.2ft) for up to 30 mins.
Thread type	M20 x 1.0
Compatible with	4.3-10 female connectors



21004a subject to alteration

All specifications are subject to change without notice.
The latest specifications are available at www.kathreinusa.com