

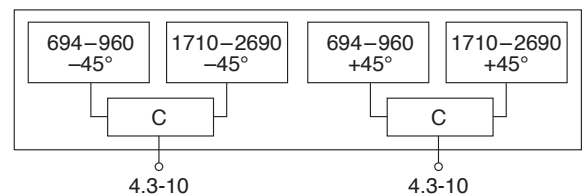
2-Port Indoor Antenna Dual Polarization HPBW Integrated Combiner

694-960	1710-2690
X	X
80°	65°
C	

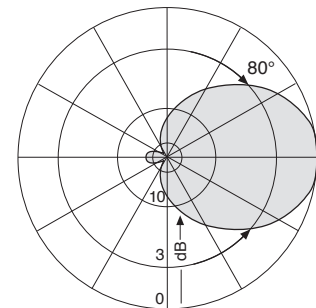
KATHREIN

2-Port Indoor 694-960/1710-2690 C 80°/65° 7/8dBi

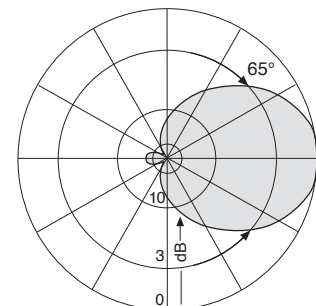
Type No.		80010882	
Frequency range	MHz	694 - 960	1710 - 2690
Polarization	°	+45, -45	+45, -45
Gain	dBi	7	8
Half-power beam width; hor., ver.	°	typ. 80	typ. 65
Impedance	Ω	50	
VSWR		694 - 960 MHz: ≤ 2.2 1710 - 2690 MHz: ≤ 2.2	
Isolation, between ports	dB	694 - 806 MHz: ≥ 16 806 - 960 MHz: ≥ 20 1710 - 2690 MHz: ≥ 20	
Max. power per port	W	20 (at 50 °C ambient temperature)	
Passive Inter-modulation PIM 3	dBc	< -140 (at 2 x 40 dBm carrier)	
Input		2 x 4.3-10 female	
Protection class		IP 30	
Weight	kg lb	1.6 3.5	
Packing size	mm inches	417 / 281 / 141 16.4 / 11.1 / 5.6	
Height/width/depth	mm inches	399 / 237 / 63 15.7 / 9.3 / 2.5	
Operating temperature range	°C	-5 ... +55	
Fire protection classification		UL 94-V2	
Fire load	kWh	5.3	



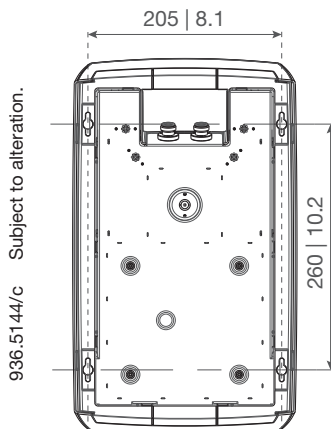
- Material: Reflector: Brass.
Radome: ASA / PC, colour: White.
- Mounting: Position: Wall and ceiling possible.
The antenna is mounted with four screws (4.5 mm | 0.18 inches nominal diameter, screw head diameter max. 9 mm | 0.35 inches). Screws are not supplied.
After antenna mounting install the antenna cover.
- Available accessories: Broadband power splitters and tappers (380 - 5920 MHz).



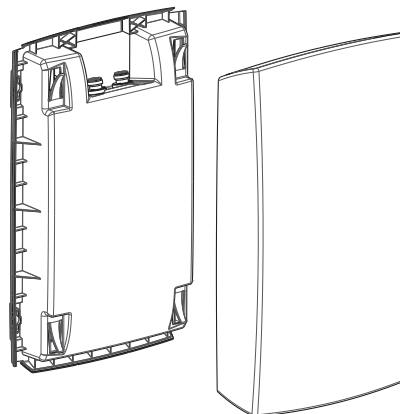
Horizontal / Vertical Pattern
694 - 960 MHz



Horizontal / Vertical Pattern
1710 - 2690 MHz



Antenna rear side with four drilling holes
All dimensions in mm | inches



Antenna and antenna cover

Any previous data sheet issues have now become invalid.

All specifications are subject to change without notice.
The latest specifications are available at www.kathreinusa.com