

Standard Downtilt kit for Panel Antennas (Wind Load Category “XH”)

Special downtilt kit for Panel antennas with wind load category “XH”.

Downtilt kit

Type No.		85010099
Preferred range of use		- Panel antennas with attached mounting plates - Downtilt kit without scale for universal use
Weight	kg lb	10.6 23.4
Material	Hot-dip galvanized steel	
Screws	Hot-dip galvanized steel	
Nuts	Stainless steel	

Attention: The downtilt kit is not to be used together with azimuth kit or offset.

Recommended mast clamps:

Type No.	Description	Mast diameter mm inches	Weight approx. kg lb	Units per antenna
85010096	2 clampes	55 – 115 2.2 – 4.5	5.0 11.0	1
85010097	2 clampes	110 – 220 4.3 – 8.7	9.7 20.7	1

Recommended torque for all bolted connections:

Screw size		Torque
M10	Nm	50
M12	Nm	85

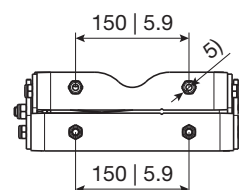
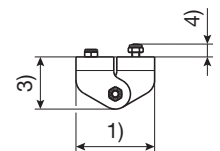
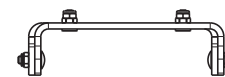
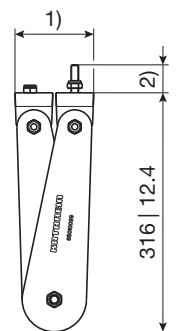
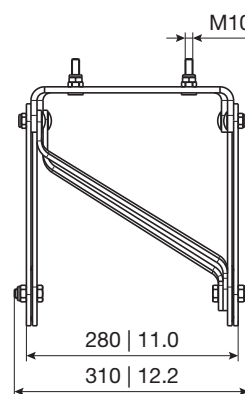
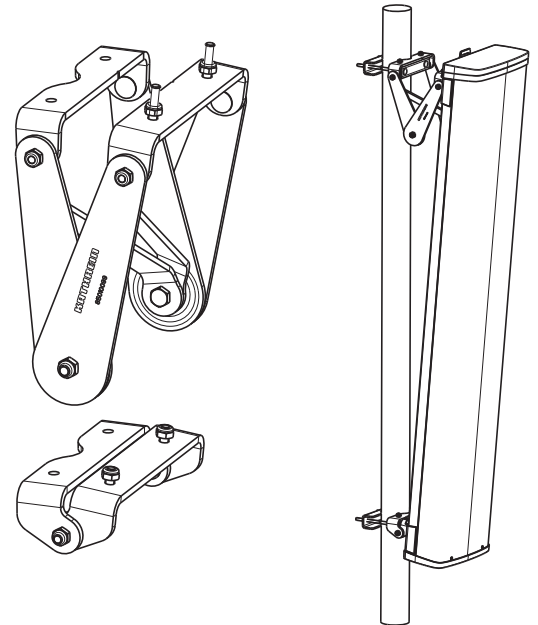
Maximum acceptable load:

Frontal wind load	N lbf	< 6000 2348.9
Lateral wind load	N lbf	< 1950 438.4

Instructions to adjust the required downtilt angle are given in the datasheet or on the rearside of the antenna.

Mounting this downtilt kit enlarges the spacing between mast and antenna by 104 mm | 4.1 inches.

Use the downtilt kit together with the clamps as described in the antenna datasheet.



- 1) 104 | 4.1
- 2) 37 | 1.5
- 3) 69 | 2.7
- 4) 17 | 0.7
- 5) ∅ 11 | 0.4

All dimensions in mm | inches

936.5129 Subject to alteration.