

# METEOR BURST ANTENNAS

# KATHREIN

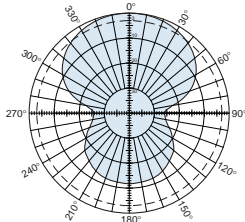
6 to 9 dBi gain  
40–50 MHz  
Horizontally polarized

Specifications:	MBY-2	MBY-3	MBY-5
Frequency range	40–50 MHz (specify frequency)	40–50 MHz (specify frequency)	40–50 MHz (specify frequency)
Gain	6 dBi	7.5 dBi	9 dBi
Impedance	50 ohms	50 ohms	50 ohms
VSWR	<1.5:1	<1.5:1	<1.5:1
Polarization	Horizontal	Horizontal	Horizontal
Front-to-back ratio	>11 dB	>13 dB	>16 dB
Maximum input power	500 watts (at 50°C)	500 watts (at 50°C)	500 watts (at 50°C)
H-plane beamwidth	84 degrees (half-power)	76 degrees (half-power)	68 degrees (half-power)
E-plane beamwidth	74 degrees (half-power)	66 degrees (half-power)	58 degrees (half-power)
Termination	N female	N female	N female
Weight	15 lb (6.8 kg)	20 lb (9.1 kg)	30 lb (13.6 kg)
Dimensions	149 x 41.8 inches (maximum) (3785 x 1062 mm)	156.5 x 106 inches (maximum) (3975 x 2692 mm)	156.5 x 127.6 inches (maximum) (3975 x 3242 mm)
Wind load	@100 mph (160 kph)	@100 mph (160 kph)	@100 mph (160 kph)
Front	61 lbf (270 N)	123 lbf (545 N)	149 lbf (664 N)
Wind survival rating	120 mph (193 kph)	110 mph (177 kph)	100 mph (161 kph)
Shipping dimensions	88 x 6 x 5 inches (2235 x 152 x 127 mm)	88 x 6 x 5 inches (2235 x 152 x 127 mm)	88 x 6 x 5 inches (2235 x 152 x 127 mm)
Shipping weight	20 lb (9.1 kg)	25 lb (11.4 kg)	27 lb (12.3 kg)
Mounting	For masts of 2.375 inch (60 mm) OD. For masts of 2.375 inch (60 mm) OD. For masts of 2.375 inch (60 mm) OD.		

## Order Information:

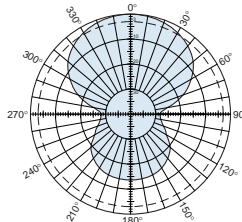
Contact Kathrein USA, Customer Service for detailed order information.

**MBY-2**



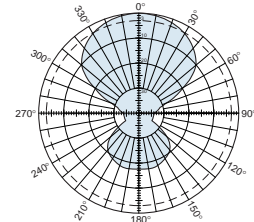
E-plane  
Horizontal pattern – H-polarization

**MBY-3**

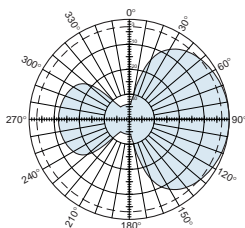


E-plane  
Horizontal pattern – H-polarization

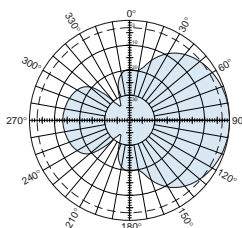
**MBY-5**



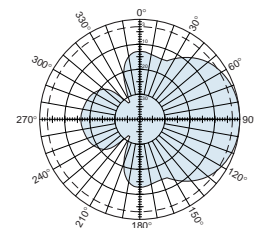
E-plane  
Horizontal pattern – H-polarization



H-plane  
Vertical pattern – H-polarization



H-plane  
Vertical pattern – H-polarization



H-plane  
Vertical pattern – H-polarization

20010-A



All specifications are subject to change without notice.  
The latest specifications are available at [www.kathreinusa.com](http://www.kathreinusa.com)

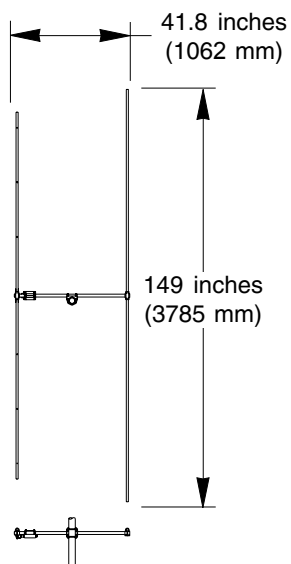
# METEOR BURST ANTENNAS

**KATHREIN**

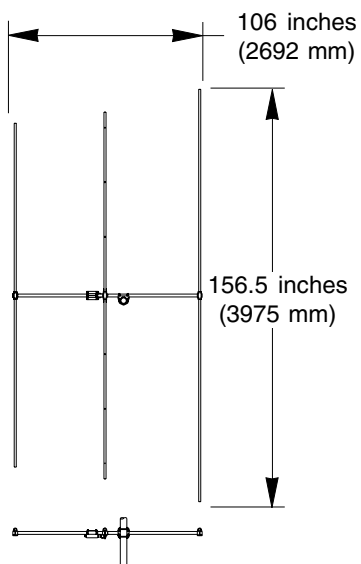
6 to 9 dBi gain

40–50 MHz

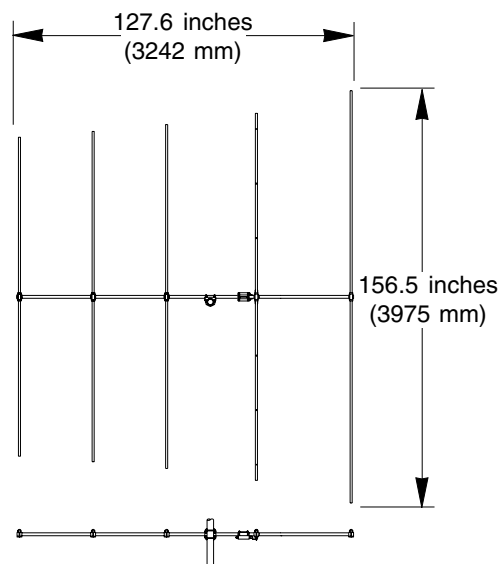
Horizontally polarized



**MBY-2**



**MBY-3**



**MBY-5**