

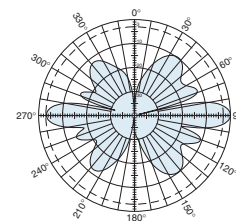
840 10250 Paraslot® Antenna

KATHREIN

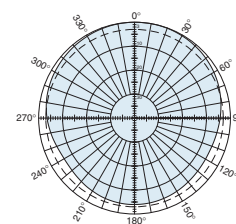
The KUSA 840 10250 Paraslot® antenna is specifically designed for spread spectrum systems and other applications in the 902–928 MHz ISM band, featuring high gain and an offset omnidirectional pattern.

The H-polarized 840 10250 provides isolation from co-channel and adjacent-channel V-polarized signals. The KUSA Paraslot design used in these antennas has earned a reputation for high performance and reliability in thousands of low-power UHF-TV broadcast transmission systems during the past 25 years.

Specifications	
Frequency range	902–928 MHz
Gain	10 dBi (maximum)
Impedance	50 ohms
VSWR	<1.5:1
Polarization	Horizontal
Maximum input power	100 watts (at 50°C)
H-plane beamwidth	12 degrees (half-power)
Connector	N female
Weight	13.5 lb (6.1 kg)
Height	83.9 inches (2131 mm)
Radome diameter	2.6 inches (66 mm)
Wind load at 93 mph (150 kph)	
Side	24 lbf (107 N)
Wind survival rating	120 mph (193 kph)
Shipping dimensions	92 x 6 x 6 inches (2337 x 152 x 152 mm)
Shipping weight	25 lb (11.3 kg)
Mounting	Mounting kits are available for attachment to a flat vertical surface or to masts with 2.375 to 3.5 inch (60 to 89 mm) OD.



H-plane
Vertical pattern
H-polarization



E-plane
Horizontal pattern
H-polarization

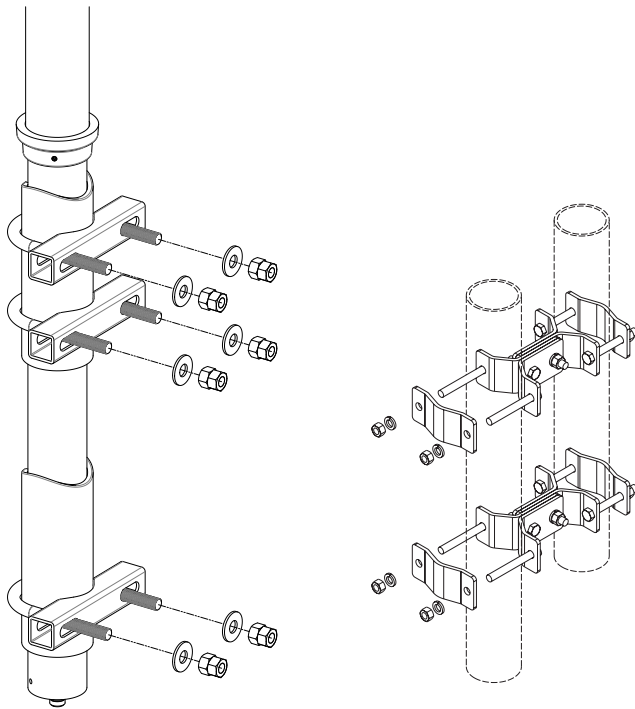


PARASLOT is a registered trademark of Kathrein USA

10964e subject to alteration



All specifications are subject to change without notice.
The latest specifications are available at www.kathreinusa.com

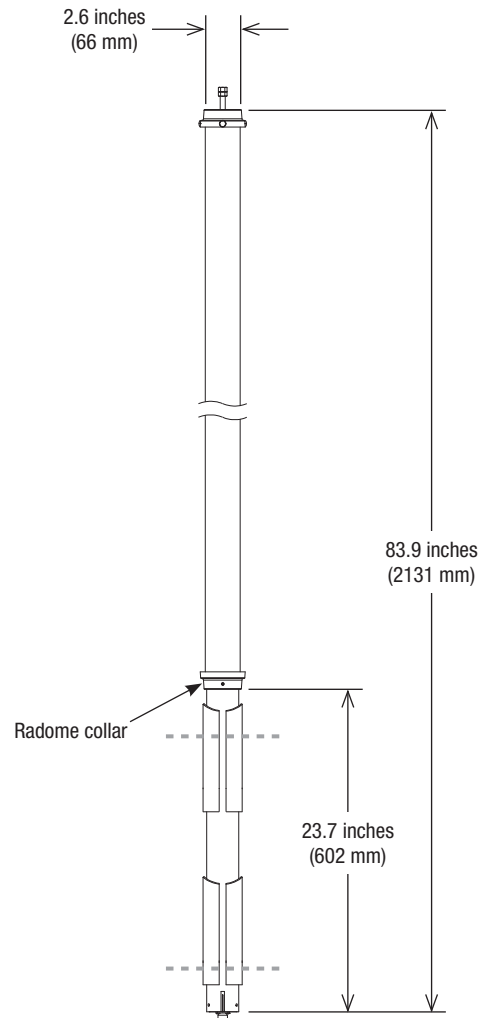


MKPS-13

MKPP-23

Mounting options

Model	Description
MKPS-13	Mounting kit for mounting to a flat plate
MKPP-23	Mounting kit for 2.375 to 3.5 inch (60 to 89 mm) OD mast



The top mounting bracket should be located approximately 2 inches (51 mm) below the radome collar. The bottom mounting bracket should be located approximately 4 inches (102 mm) above the bottom of the antenna.

Order information

Model	Description
840 10250	Antenna with N connector for spread spectrum systems

10964e subject to alteration