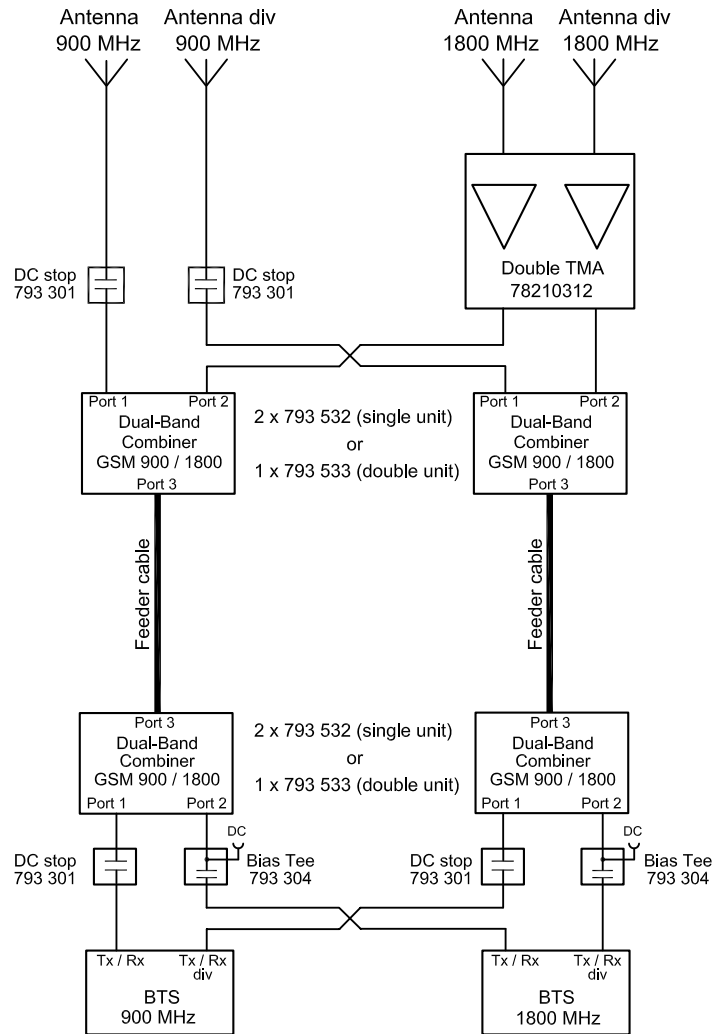
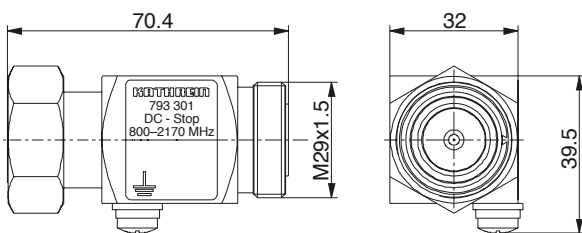


DC Stop 800 – 2170 MHz

DC Stop is used in dual- or multi-band antenna systems where one or more antenna systems require a DC supply for an installed mast head amplifier. The DC Stop prevents DC voltage from being shorted within the non-biased antenna system(s) and isolates the corresponding base station output(s) from DC voltage.

- Low RF signal insertion loss
- High DC signal isolation from port 1 to port 2 and vice versa
- Suitable for indoor or outdoor applications



Application Example

Technical Data

Type No.	793 301
Frequency range	800 – 2170 MHz
Insertion loss Port 1 ↔ Port 2	< 0.1 dB (800 – 2170 MHz)
Isolation Port 1 ↔ Port 2	> 70 dB (DC)
VSWR	< 1.1 (800 – 2000 MHz) < 1.2 (2000 – 2170 MHz)
Impedance	50 Ω
Input power	< 750 W (800 – 2170 MHz)
Intermodulation products	< -160 dBc (3rd order; with 2 x 20 W)
Temperature range	-40 ... +70 °C
Connectors Port 1 Port 2	7-16 male 7-16 female
Application	Indoor or outdoor (IP 67)
Weight	0.32 kg
Dimensions (w x h x d)	70.4 mm x 39.5 mm x 32 mm (including connectors and earthing screw of 6 mm diameter)



936.1954/d Subject to alteration.