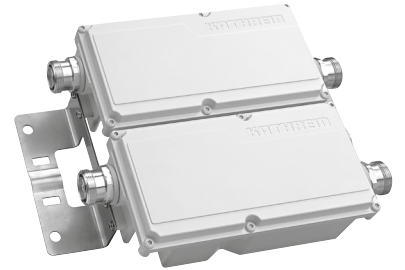


Band-pass Filter 801 - 862 MHz

- Band-pass Filter for LTE800 with DVB-T suppression
- Available as a single unit or for XPol antennas as a double unit
- Wall or mast mounting



78211149



78211159

Typical Attenuation Curves
Diagram I

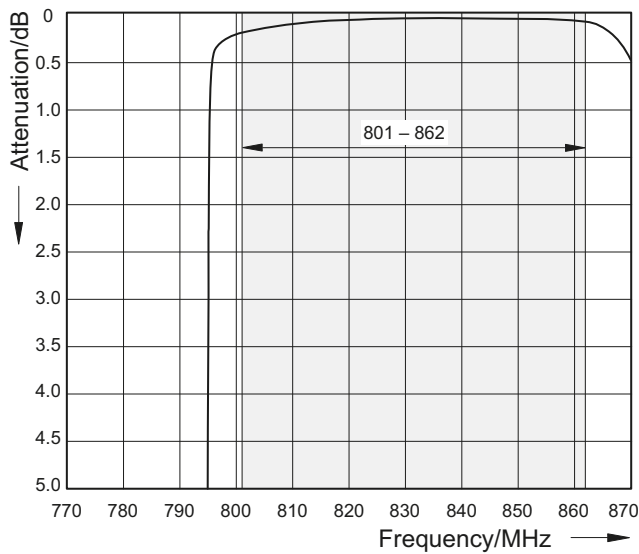
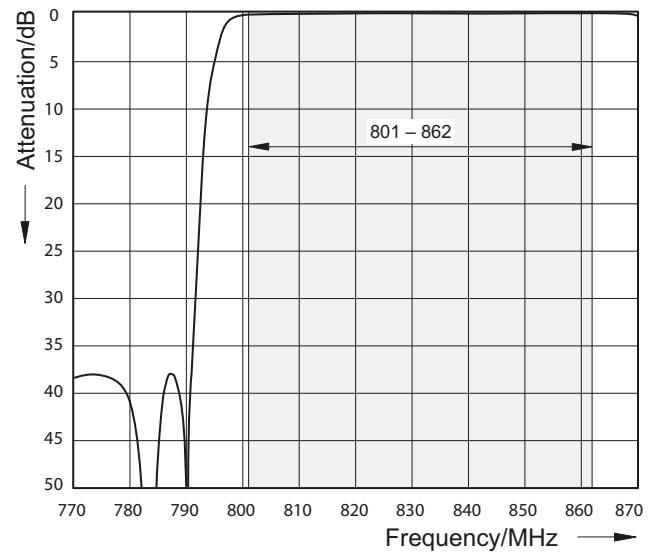


Diagram II



Technical Data

Type No.	78211149 Single Unit	78211159 Double Unit
Pass band	801 - 862 MHz	
Insertion loss	< 0.3 dB (typ. 0.2 dB)	
Stop band attenuation	> 35 dB (470 - 790 MHz)	
VSWR	< 1.2	
Impedance	50 Ω	
Input power	< 100 W	
Intermodulation products	< -160 dBc (with 2 x 20 W)	
Temperature range	-40 ... +65 °C	
DC/AISG	Bypass	
Connectors	7-16 female	
Application	Outdoor (IP 66)	
Weight	1.1 kg	2.2 kg
Mounting	Wall mounting: With 4 screws (max. 8 mm diameter) Mast mounting: With additional clamp set	
Dimensions (w x h x d)	105 x 180 x 60 mm	215 x 180 x 60 mm

Accessories (order separately)

Type No.	Clamp set suitable for mast diameter of
734360	34 - 60 mm
734361	60 - 80 mm
734362	80 - 100 mm
734363	100 - 120 mm
734364	120 - 140 mm
734365	45 - 125 mm



Subject to alteration.

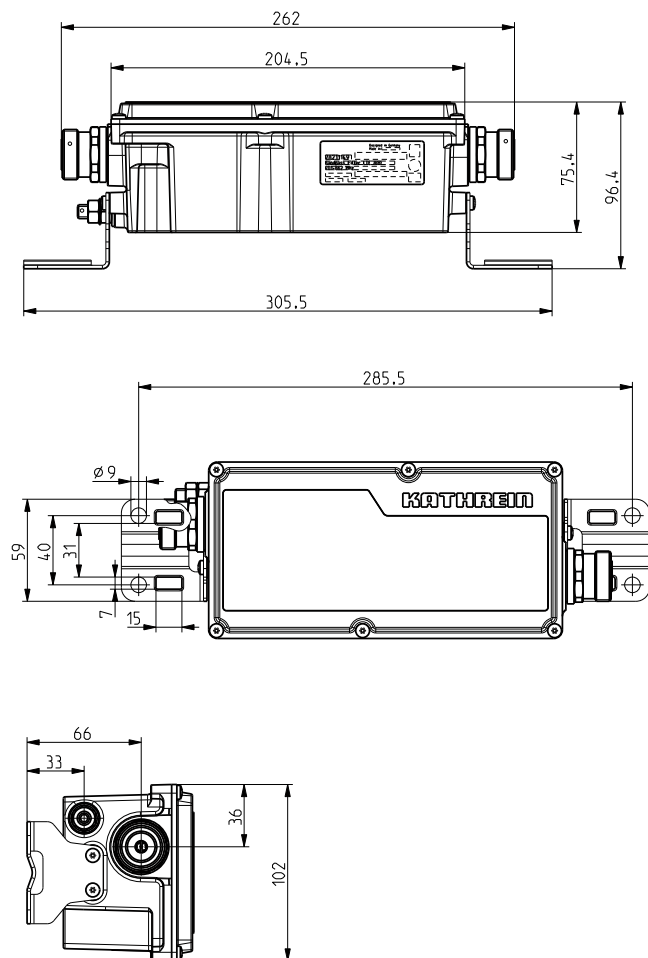
936.A2902c

Band-pass Filter 801 - 862 MHz

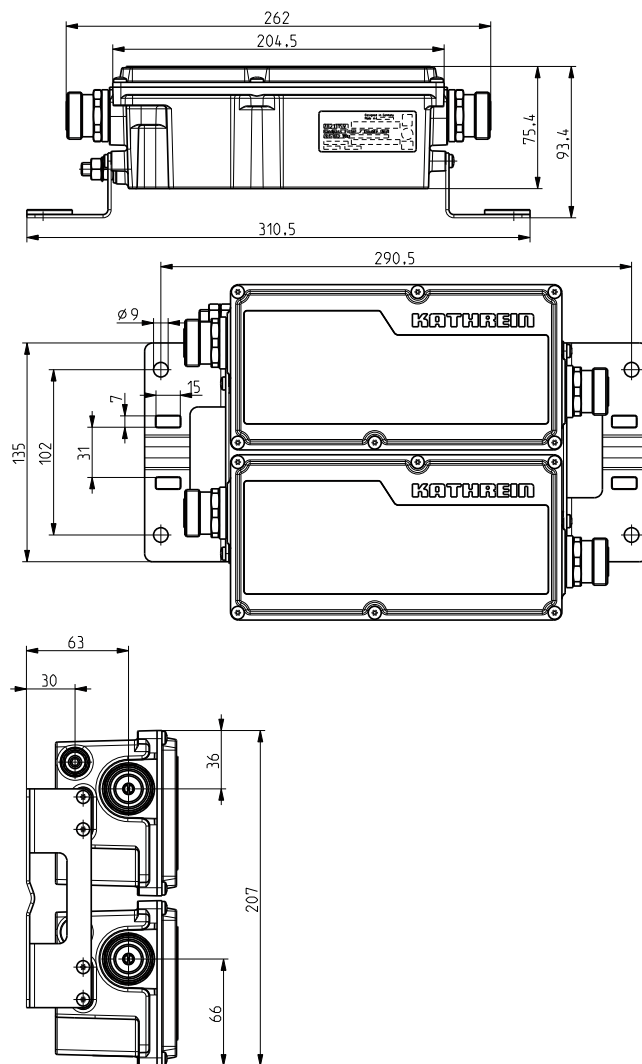
KATHREIN
Antennen · Electronic

Dimensions

78211149



78211159



Please Note:

As a result of more stringent legal regulations and judgements regarding product liability, we are obliged to point out certain risks that may arise when products are used under extraordinary operating conditions.

Extraordinary operating conditions, such as heavy icing or exceptional dynamic stress (e.g. strain caused by oscillating support structures), may result in the breakage of a mast mounted device or even cause it to fall to the ground.

These facts must be considered during the site planning process.

The Band-pass Filters are designed to operate under the environmental conditions as described in ETS 300 019-1-4 class 4.1 E and have passed environmental tests as recommended in ETS 300 019-2-4.

The installation team must be properly qualified and also be familiar with the relevant national safety regulations.

The details given in our data sheets have to be followed carefully when installing the combiners and accessories.

The limits for the coupling torque of RF connectors, recommended by the connector manufacturers must be obeyed.

Any previous datasheet issues have now become invalid.

