

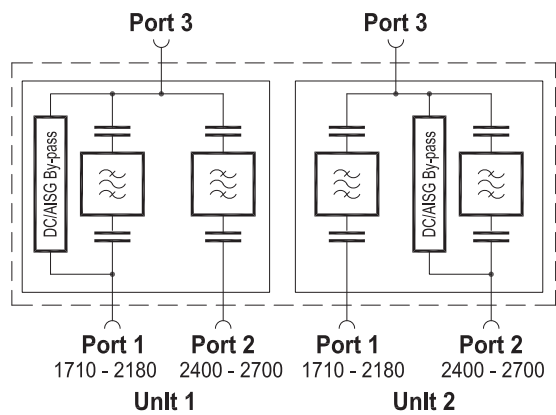
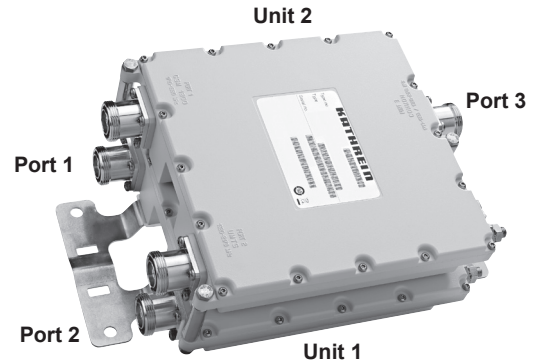
Dual-Band Combiner

KATHREIN

1710 – 2180 MHz
GSM1800 / PCS1900 / AWS / UMTS2100

2400 – 2700 MHz
WLAN / WiMAX / BRS/ LTE2600

- Designed to support separate DC/AISG supply for a low-band and high-band DTMA via 2 feeder cables (see application)
- Enables feeder sharing
- Can be used as a combiner near the BTS or in a reciprocal function near the antenna
- Suitable for indoor or outdoor applications
- Wall or mast mounting
- Double unit for XPol antennas
- Built-in lightning protection
- Very low insertion loss



Technical Data

Type No.	78211099 Double Unit	
Pass band Band 1 (GSM 1800) Band 2 (UMTS)	1710 – 2180 MHz 2400 – 2700 MHz	
Insertion loss Port 1 ↔ Port 3 Port 2 ↔ Port 3	< 0.15 dB < 0.15 dB	
Isolation Port 1 ↔ Port 2	> 60 dB	
VSWR	< 1.25 (1710 – 2180) / (2400 – 2700 MHz)	
Impedance	50 Ω	
Input power Band 1 / Band 2	< 300 W / < 300 W	
Intermodulation products	< –160 dBc (3 rd order; with 2 x 20 W)	
Temperature range	–40 ... +60 °C	
Connectors	7-16 female (long neck)	
Application	Indoor or outdoor (IP 66)	
DC/AISG transparency Port 1 ↔ Port 3 Port 2 ↔ Port 3	Unit 1 By-pass (max. 2500 mA) Stop	Unit 2 Stop By-pass (max. 2500 mA)
Lightning protection	3 kA, 10/350 μs pulse	
Mounting	Wall mounting: With 4 screws (max. 8 mm diameter) / Mast mounting: With additional clamp set	
Weight	5.7 kg	
Packing size	392 x 272 x 189 mm	
Dimensions (w x h x d)	199 x 199 x 95 mm (without connectors, without mounting brackets)	

Subject to alteration.

936.4934

