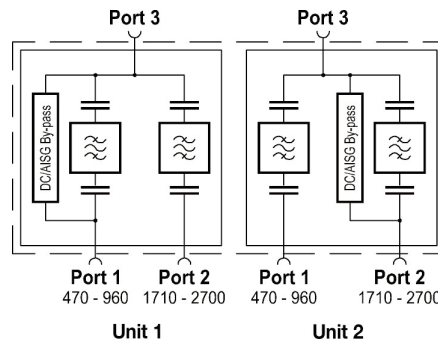
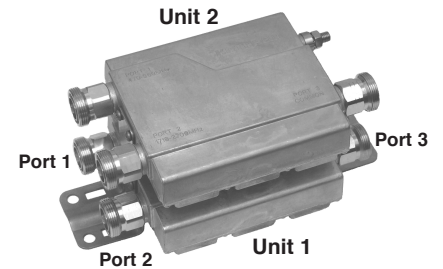


# Dual-Band Combiner

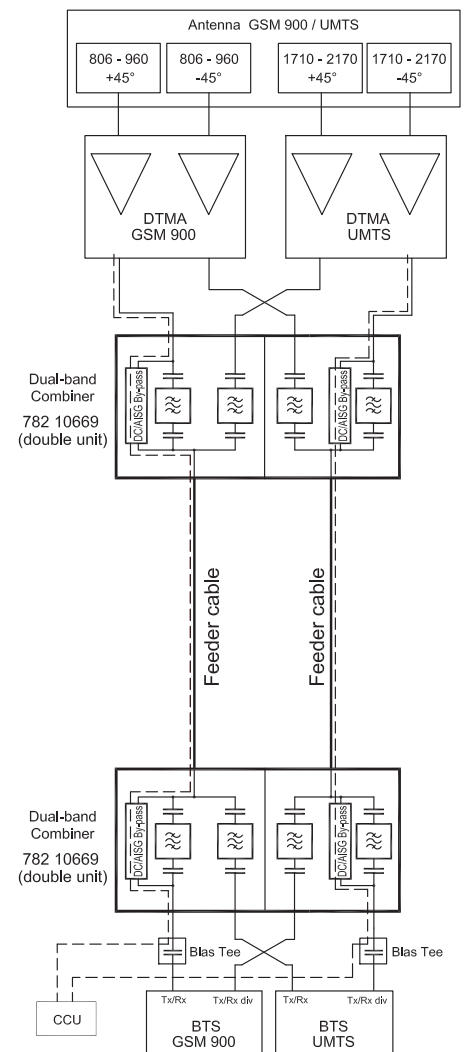
**470 – 960 MHz**  
DVB-H / CDMA 800 / GSM 900

**1710 – 2700 MHz**  
GSM 1800 / UMTS / WiMAX / LTE 2600

- Designed to support separate DC/AISG supply for a low-band and high-band DTMA via 2 feeder cables (see application)
- Enables feeder sharing
- Can be used as a combiner near the BTS or in a reciprocal function near the antenna
- Suitable for indoor or outdoor applications
- Wall or mast mounting
- Double unit for XPol antennas
- Built-in lightning protection
- **Extremely small dimensions and low weight**
- **Very low insertion loss**
- **High input power**



## Application Example



## Technical Data

Type No.	<b>782 10669</b> Double Unit	
Pass band Band 1 Band 2	470 – 960 MHz 1710 – 2700 MHz	
Insertion loss Port 1 ↔ Port 3 Port 2 ↔ Port 3	< 0.1 dB (470 – 960 MHz) < 0.1 dB (1710 – 2700 MHz)	
Isolation Port 1 ↔ Port 2	> 55 dB (470 – 960 MHz) / > 65 dB (1710 – 2700 MHz)	
VSWR	< 1.2 (470 – 960 / 1710 – 2700 MHz)	
Impedance	50 Ohm	
Input power Band 1 / Band 2	< 650 W / < 350 W	
Intermodulation products	< -160 dBc (3 <sup>rd</sup> order with 2 x 20 W)	
Temperature range	-55 ... +60 °C	
Connectors	7-16 female (long neck)	
Application	Indoor or outdoor (IP 66)	
DC/AISG transparency Port 1 ↔ Port 3 Port 2 ↔ Port 3	<b>Unit 1</b> By-pass (max. 2500 mA) Stop	<b>Unit 2</b> Stop By-pass (max. 2500 mA)
Lightning protection	3 kA, 10/350 µs pulse	
Mounting	Wall mounting: With 4 screws (max. 8 mm diameter) / Mast mounting: With additional clamp set	
Weight	2.4 kg	
Packing size	285 x 157 x 148 mm	
Dimensions (w x h x d)	126 x 145 x 93 mm (without connectors, without mounting brackets)	

936.3992/a Subject to alteration.

# Dual-Band Combiner

# KATHREIN

Antennen · Electronic

**470 – 960 MHz**  
DVB-H / CDMA 800 / GSM 900

**1710 – 2700 MHz**  
GSM 1800 / UMTS / WiMAX / LTE 2600

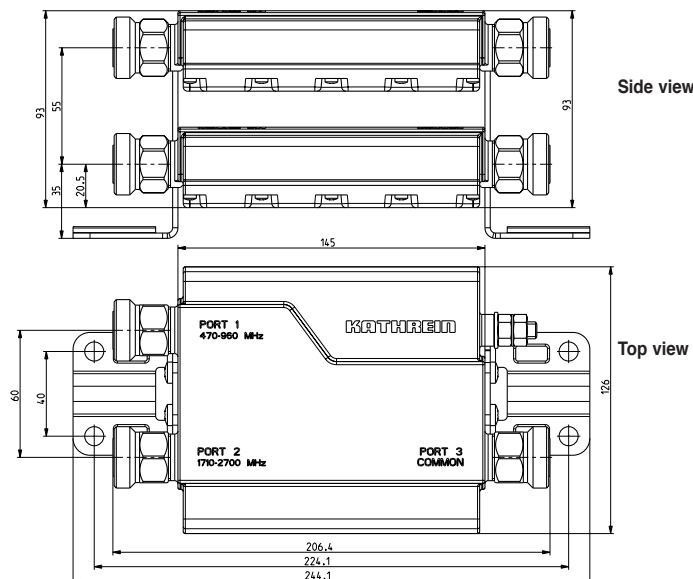
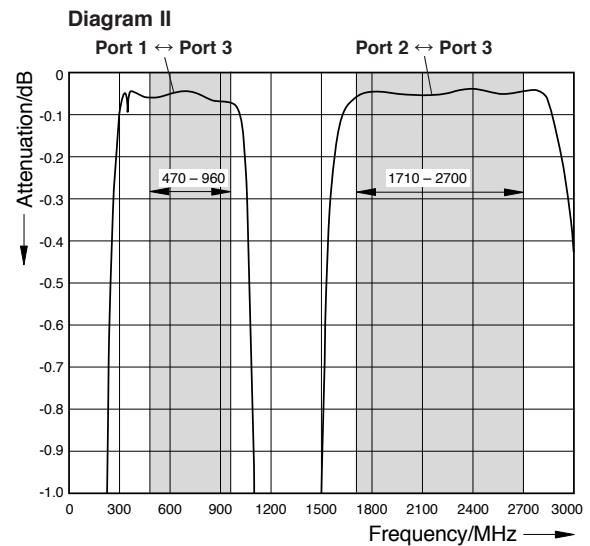
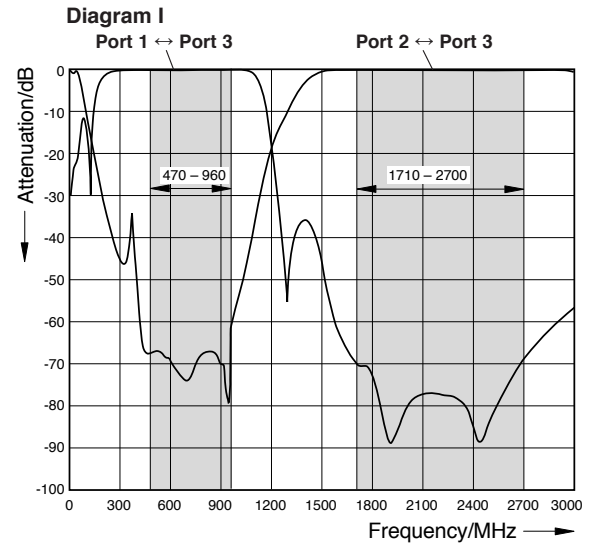
## Accessories (order separately)

Type No.	Clamp set suitable for mast diameter of
734 360	34 – 60 mm
734 361	60 – 80 mm
734 362	80 – 100 mm
734 363	100 – 120 mm
734 364	120 – 140 mm
<b>734 365</b>	<b>45 – 125 mm</b>



Type No.	Description
<b>782 10850</b>	<b>DC stop</b>
<b>784 10367</b>	<b>50-Ohm load</b>

## Typical Attenuation Curves



### Please note:

As a result of more stringent legal regulations and judgements regarding product liability, we are obliged to point out certain risks that may arise when products are used under extraordinary operating conditions.

Extraordinary operating conditions, such as heavy icing or exceptional dynamic stress (e.g. strain caused by oscillating support structures), may result in the breakage of a mast mounted device or even cause it to fall to the ground.

These facts must be considered during the site planning process.

The Dual-band Combiner is designed to operate under the environmental conditions as described in ETS 300 019-1-4 class 4.1 E and have passed environmental tests as recommended in ETS 300 019-2-4.

The installation team must be properly qualified and also be familiar with the relevant national safety regulations.

The details given in our data sheets have to be followed carefully when installing the combiner and accessories.

The limits for the coupling torque of RF connectors, recommended by the connector manufacturers must be obeyed.

Terminate unused inputs with a suitable 50-Ohm load, e.g. 784 10367.

Any previous datasheet issues have now become invalid.

