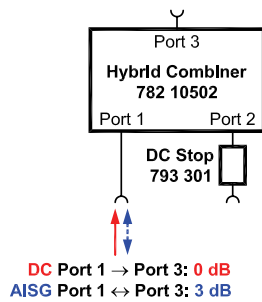


Hybrid Combiner 2:1

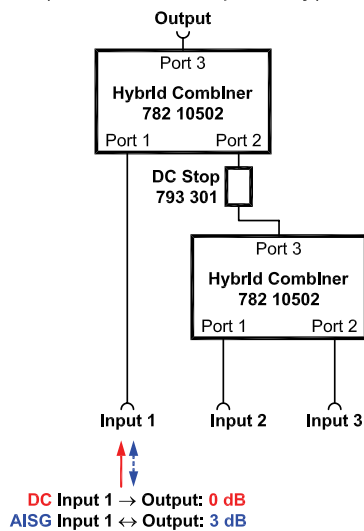
1710 – 2170 MHz

2 x 60 W

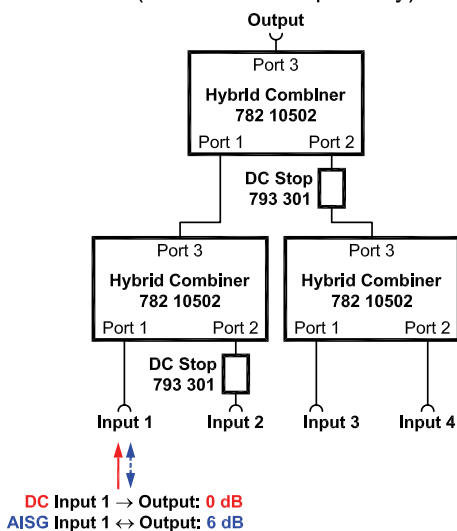
Configuration Example: Hybrid Combiner 2:1 (DC/AISG transparency)



Configuration Example: Hybrid Combiner 3:1 (DC/AISG transparency)

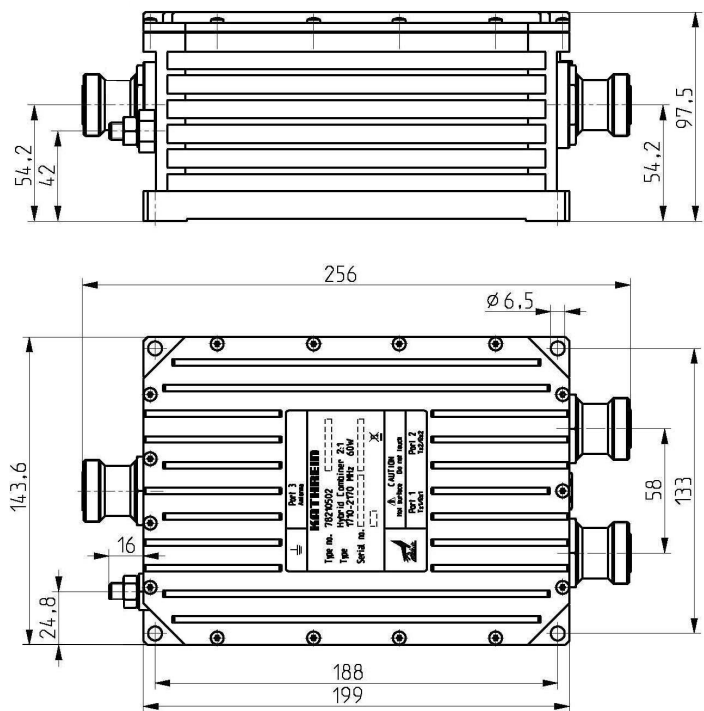
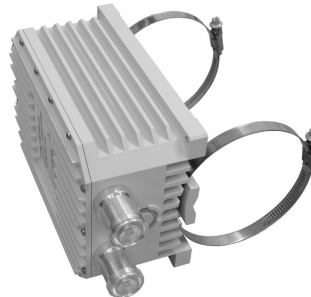


Configuration Example: Hybrid Combiner 4:1 (DC/AISG transparency)



Mast mounting with Kathrein Clamp set 734 360 ... 734 365

- ① Clamps inserted into slots at rear side of the Hybrid Combiner
- ② Side view of a mast mounted Hybrid Combiner



Please note:

As a result of more stringent legal regulations and judgements regarding product liability, we are obliged to point out certain risks that may arise when products are used under extraordinary operating conditions.

Extraordinary operating conditions, such as heavy icing or exceptional dynamic stress (e.g. strain caused by oscillating support structures), may result in the breakage of a mast mounted device or even cause it to fall to the ground.

These facts must be considered during the site planning process.

The Hybrid Combiner is designed to operate under the environmental conditions as described in ETS 300 019-1-4 class 4.1 E and have passed environmental tests as recommended in ETS 300 019-2-4.

The installation team must be properly qualified and also be familiar with the relevant national safety regulations.

The details given in our data sheets have to be followed carefully when installing the combiner and accessories.

The limits for the coupling torque of RF connectors, recommended by the connector manufacturers must be obeyed.

Any previous datasheet issues have now become invalid.

