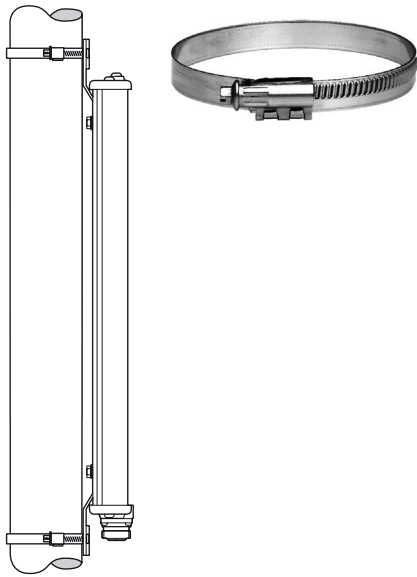


# Mounting Hardware Tension Band for Panel Antennas (Wind load Category "L")

Type No.	<b>734360</b>	<b>734361*</b>	<b>734362*</b>	<b>734363*</b>	<b>734364*</b>	<b>734365</b>
Suitable for mast diameter	34 – 60 mm 1.34 – 2.36"	60 – 80 mm 2.36 – 3.15"	80 – 100 mm 3.15 – 3.94"	100 – 120 mm 3.94 – 4.72"	120 – 140 mm 4.72 – 5.51"	45 – 125 mm 1.77 – 4.92"
Material	Stainless steel	Stainless steel	Stainless steel	Stainless steel	Stainless steel	Stainless steel

\*Special order only.  
U.S. customers order 1311847.



Type No.	<b>1311847</b>
Suitable for mast diameter	50 – 145 mm 1.97 – 5.71"
Material	Stainless steel

**Please note:  
Only usable without downtilt kit!**

936.4062 Subject to alteration.