

For indoor and outdoor use.

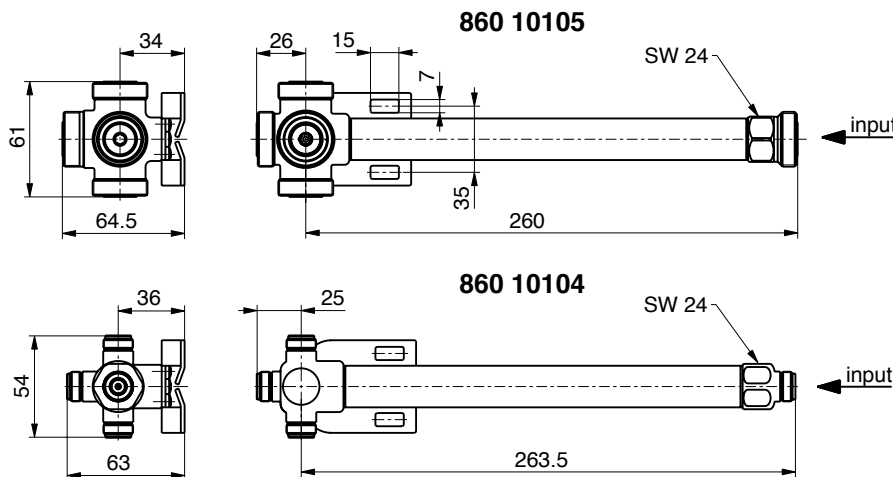
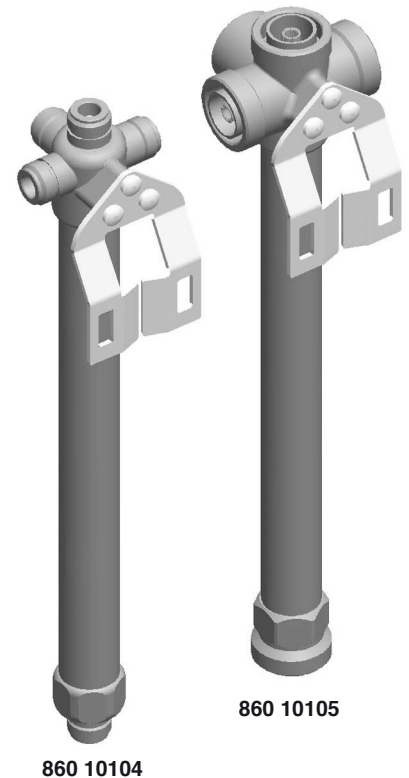
2-way Splitter 694–3800

3-way Splitter 694–3800

4-way Splitter 694–3800

Type No.	860 10100	860 10101	860 10102	860 10103	860 10104	860 10105
Connector (female)	N	7-16	N	7-16	N	7-16
Max. power (at 50 °C ambient temperature)	200 W	700 W	200 W	700 W	200 W	700 W
For connecting ... antennas	2		3		4	
Frequency range	694 – 3800 MHz					
VSWR	694 – 894 MHz: < 1.3 790 – 3800 MHz: < 1.15					
Intermodulation IM3	< –150 dBc (2 x 43 dBm carrier)					
Impedance	50 Ω					
Insertion loss	< 0.05 dB					
Weight	750 g	870 g	760 g	900 g	775 g	960 g
Packing size	300 x 75 x 75 mm					

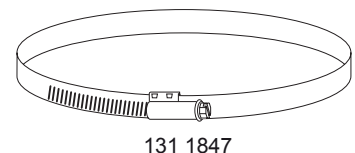
- Material:** Brass. Surface treatment: CuSnZn3
- Mounting:** Bracket for wall mounting included in the scope of supply.
For pipe mast mounting use clamps listed below (order separately).
- DC capability:** DC transmission between all terminations (suitable for remote power supply systems).
- Environmental conditions:** ETS 300 019-1-4 class 4.1 E
– Low temperature: –55 °C
– High temperature (dry): +60 °C
IP 65



936.2956/b Subject to alteration.

Mounting Options:

Model	Description
131 1847	Mounting Kit for 2 to 5.7" (51 to 145mm) OD mast



All specifications are subject to change without notice.
The latest specifications are available at www.kathreinusa.com