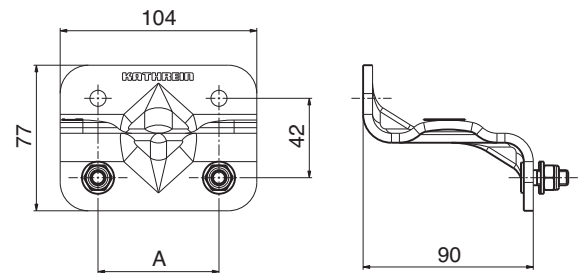
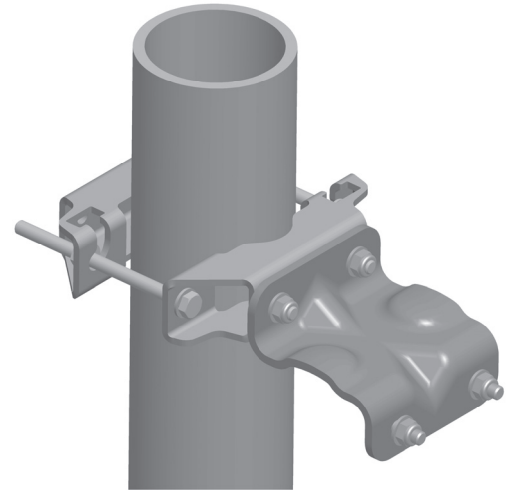


# Mounting Hardware Offset for Panel Antennas

Type No.	85010060	85010061
Wind load category	"L" and "M"	"H"
Quantity needed per antenna	2 x spacer	
Material: – spacer – nuts	Hot-dip galvanized steel Stainless steel	
Dimension "A"	64 mm	72 mm
Weight	0.65 kg	
Scope of supply	1 x spacer, Fitting accessories	

Recommended torque for M8 bolted connections: 20 Nm

Please use the offset in combination with clamps corresponding to the pole diameter.



Mounting accessories (order separately)

Possible clamps in combination with:

## 85010060

Type No.	Description	Mast diameter	Weight approx.	Units per antenna
731651	1 clamp	28 – 64 mm	0.8 kg	2
738546	1 clamp	42 – 115 mm	1.1 kg	2
85010002	1 clamp	110 – 220 mm	2.9 kg	2
85010003	1 clamp	210 – 380 mm	4.8 kg	2
742263	2 x 3 sector clamp	88.9 mm	4.0 kg	1
742317	2 x 3 sector clamp	88.9 mm	4.0 kg	1
742033	2 x 3 sector clamp	114.3 mm	4.0 kg	1
742034	2 x 3 sector clamp	139.7 mm	4.0 kg	1

## 85010061

Type No.	Description	Mast diameter	Weight approx.	Units per antenna
738546	1 clamp	42 – 115 mm	1.1 kg	2
85010002	1 clamp	110 – 220 mm	2.9 kg	2
85010003	1 clamp	210 – 380 mm	4.8 kg	2
85010058	2 x 3 sector clamp	114.3 mm	4.0 kg	1
85010059	2 x 3 sector clamp	139.7 mm	4.0 kg	1

If a downtilt kit is used, please choose the fitting one from the antenna data sheet.

936.3038/b Subject to alteration.