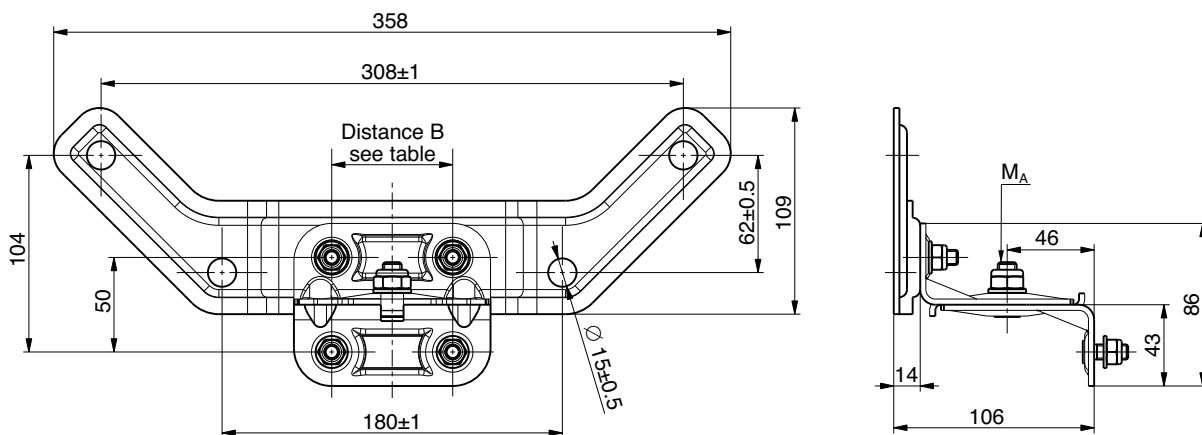
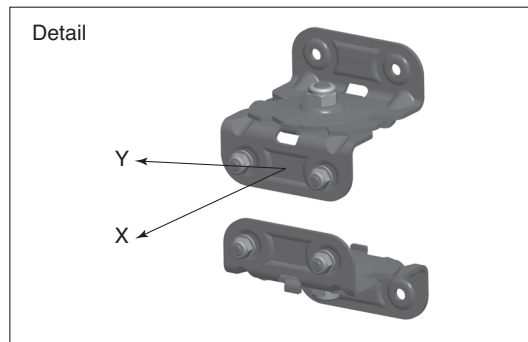
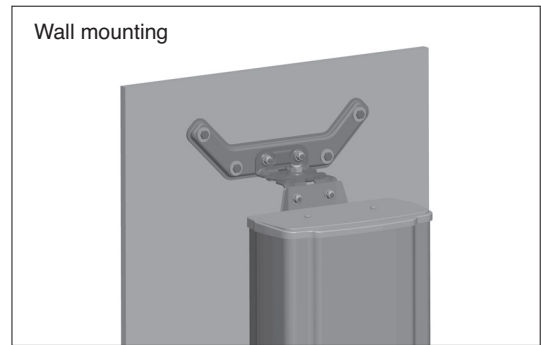
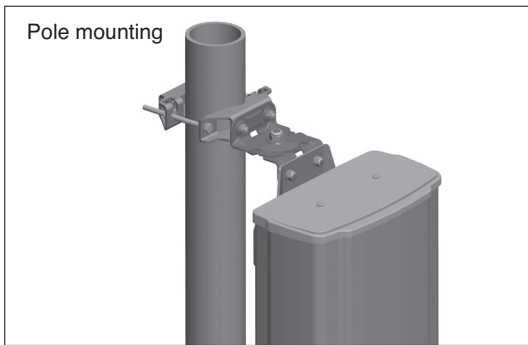


All Panels Mounting Hardware Azimuth Adjustment Kits



The azimuth adjustment kit for pole mounting can be mounted with all suitable clamps, 3-Sector clamps and 2x Panel mounting kits (with the latter only as an interface between mounting kit and antenna).

Type No.	85010014	85010015	85010016	85010017
Suitable for	pole mounting		wall mounting	
Number of pieces	2 brackets	2 brackets	2 brackets	2 brackets
Distance between screws [B]	64 mm	72 mm	64 mm	72 mm
Angular range	± 30°		± 30°	
Weight / kit	approx. 1260 g	approx. 1260 g	approx. 2500 g	approx. 2500 g
Supplied mounting accessories	all screws		Screws and dowels for wall fastening are not supplied, they must be chosen by installer according to on-site requirements.	
Materials	Parts are hot-dip galvanized steel; Captive nuts are stainless steel			
Max. permissible static load / kit				
– X direction	2150 N	5100 N	2150 N	5100 N
– Y direction	760 N	1350 N	760 N	1350 N

**Recommended torque: Screws M6: 8 Nm; Screws M8: 20 Nm; MoS₂ greased.
Minimum torque MA: 30 Nm; MoS₂ greased**

936.3037/b Subject to alteration.