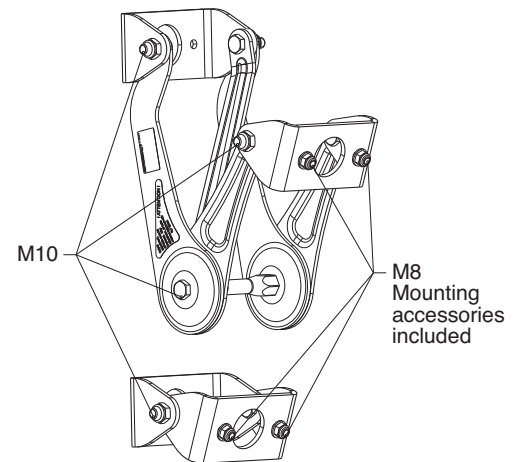


# Standard Downtilt kit for Panel Antennas (Wind load Category “H”)

## Special downtilt kit for Panel antennas with a higher wind load.

### Downtilt kit

<b>Type No.</b>	<b>85010008</b>
Preferred range of use	– Panel antennas with a higher wind load – Panel antennas with attached mounting plates – <b>Downtilt kit without scale for universal use</b>
Weight	4.3 kg
Material	Hot-dip galvanized steel
Screws	Hot-dip galvanized steel / stainless steel
Nuts	Stainless steel

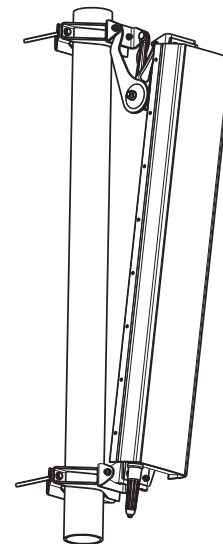


### Recommended mast clamps:

Type No.	Description	Mast diameter	Weight approx.	Units per antenna
738546	1 clamp	42 – 115 mm	1.1 kg	2
85010002	1 clamp	110 – 220 mm	2.9 kg	2
85010003	1 clamp	210 – 380 mm	4.8 kg	2

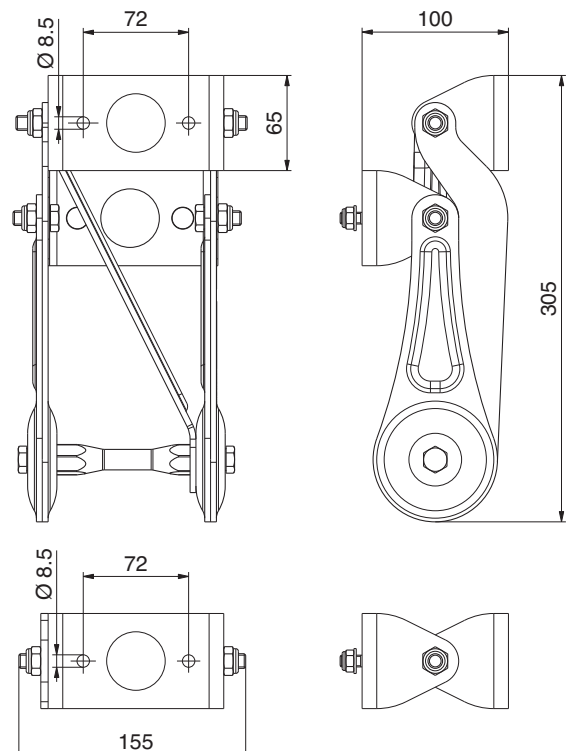
### Recommended torque for all bolted connections:

Screw size	Torque
M8	20 Nm
M10	50 Nm



### Maximum acceptable load:

Frontal wind load	< 5000 N
Lateral wind load	< 1300 N



936.4064/c Subject to alteration.