

Please note:

Additional grounding of the iRCU is not required if the iRCU is fixed to an antenna with proper grounding. Please assure that grounding of the antenna has been carried out according to all relevant local regulations.

This device complies with part 15 of the FCC Rules. Operation is subject to the following two conditions:

- 1. This device may not cause harmful interference.**
- 2. This device must accept any interference received, including interference that may cause undesired operation.**

Please note:

As a result of more stringent legal regulations and judgements regarding product liability, we are obliged to point out certain risks that may arise when products are used under extraordinary operating conditions.

The mechanical design is based on the environmental conditions as stipulated in ETS 300 019-1-4 and thereby respects the static mechanical load imposed on an antenna by wind at maximum velocity. Wind loads are calculated according to DIN 1055-4. Extraordinary operating conditions, such as heavy icing or exceptional dynamic stress (e.g. strain caused by oscillating support structures), may result in the breakage of an antenna or even cause it to fall to the ground. These facts must be considered during the site planning process.



The installation team must be properly qualified and also be familiar with the relevant national safety regulations. The details given in our data sheets have to be followed carefully when installing the antennas and accessories. The limits for the coupling torque of RF-connectors, recommended by the connector manufacturers must be obeyed.

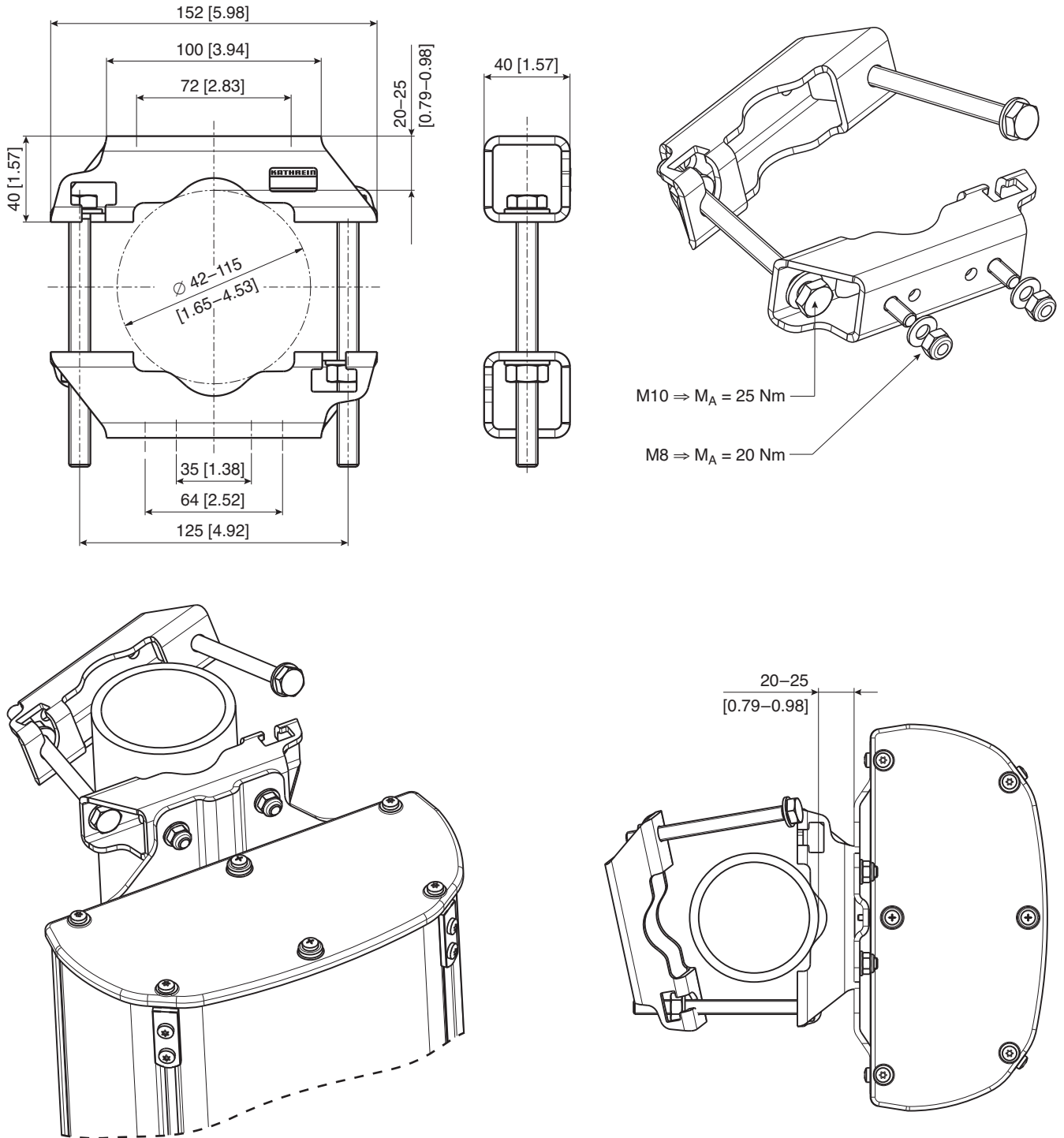
Any previous datasheet issues have now become invalid.

Mounting Hardware

Clamp Included in the Scope of Supply

KATHREIN

Suitable for mast diameter	(mm) [inches]	42 – 115 [1.65 – 4.53]
Antenna – mast distance	(mm) [inches]	20 – 25 [0.79 – 0.98]
Material of clamp and screws		Hot-dip galvanized steel / stainless steel
Weight	(kg) [lb]	1.1 [2.43]



936.3920/c Subject to alteration.

**Please note: Kathrein does not recommend to use counter nuts.
The additional nuts supplied are only meant as spares.**

All dimensions in mm and [inches]

Any previous data sheet issues have now become invalid.

Connecting the control cables:



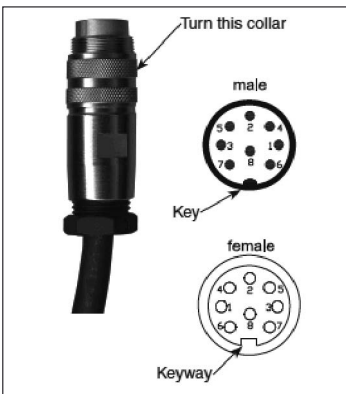
Connect a control cable to the daisy chain input of the iRCU. The tightening torque for fixing the connector must be 0.5 – 1.0 Nm (“hand-tightened”). The connector should be tightened by hand only!

Please note: If the daisy chain output is not used, do not remove the protection cap.



For daisy chain operation, remove the protection cap and attach a control cable to interconnect with the daisy chain input of the next iRCU.

Please note: Do not remove the protection cap on the daisy chain output of the last iRCU device.



Caution!

When installing or removing cables, turn only the threaded collar indicated and not the body of the connector. Rotating the connector body can result in permanent damage to the connector and the device being installed. Note that the connectors have keyways which must be carefully aligned before insertion. Insert the connector fully until well seated before tightening. Hand tighten connectors (0.5 – 1.0 Nm). Avoid tightening connectors with wrenches or pliers. Over tightening connectors may permanently damage the iRCU.

Instructions for iRCU Replacement:



Remove the AISG control cables by following the above Control Cable installation instructions. Use a TORX T20 Screwdriver to loosen the retaining screw. When the retaining screw is completely released the screw will hang free but will not fall from the iRCU housing.



Carefully slide the iRCU out of the antenna housing.



Install the new iRCU by sliding the iRCU into the empty cavity with the correct orientation.



When the iRCU is inserted all the way into the antenna housing use the TORX Screwdriver to tighten the retaining screw. Torque: $M_A = 2.5 \dots 3.0 \text{ Nm}$. Reattach the AISG control cable using the Control Cable Installation instructions.

Important:
Application of the correct torque on the screw is mandatory as earthing of the iRCU to the reflector screen is otherwise endangered.

Warning!

Take care that the iRCU does not fall from the antenna housing when the retaining screw is not tightened. The falling iRCU can cause injury or death and may permanently damage equipment.

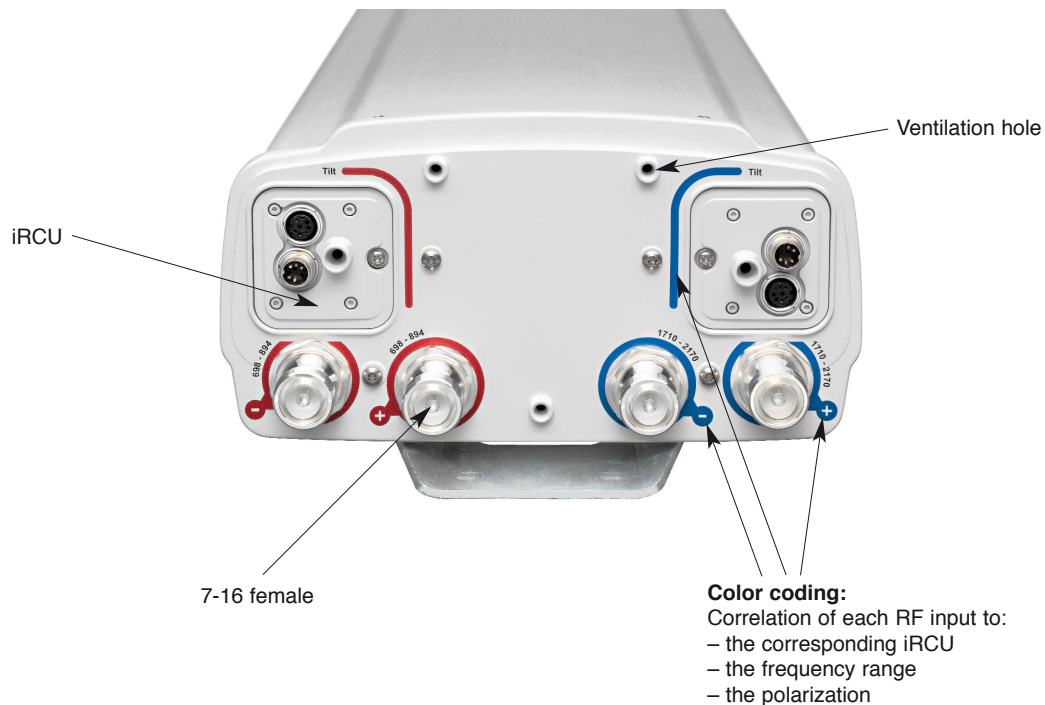
Please note: To avoid any damage to the interfaces, please ensure that only the right tools are used.

Description of bottom end cap:

Single-band Antennas with iRCU



Dual-band Antennas with iRCU



Installation of the feederline connector:

Carefully place the connector and fix the nut using a torque-wrench (according to the manufacturers guidelines).