

2-Port Antenna Y1
Frequency Range 1710–2690
Dual Polarization X
HPBW 65°
Fixed Electr. DT 4°

2-Port Antenna 1710–2690 65° 12dBi 4°T

Type No.		80010761			
Highband		Y1			
		1710–2690			
Frequency range	MHz	1710 – 1990	1920 – 2200	2200 – 2490	2490 – 2690
Polarization	°	+45, –45	+45, –45	+45, –45	+45, –45
Gain	dBi	11	11.5	12.2	12.7
Horizontal Pattern:					
Half-power beam width	°	67	65	60	58
Front-to-back ratio, copolar	dB	> 30	> 28	> 28	> 27
Cross polar ratio					
Main direction	0°	Typically: > 20	Typically: > 20	Typically: > 20	Typically: > 20
Sector	±60°	> 8	> 8	> 8	> 8
Vertical Pattern:					
Half-power beam width	°	36	31	25	25
Electrical tilt	°	3, fixed	3, fixed	4, fixed	4, fixed
Impedance	Ω	50			
VSWR		< 1.5			
Isolation, between ports	dB	> 28			
Intermodulation IM3	dBc	< –150 (2 x 43 dBm carrier)			
Max. power per input	W	150 (at 50 °C ambient temperature)			



936.4340/b Subject to alteration.

Correlation Table

Frequency range	Array	Connector
1710–2690 MHz	Y1	1–2

Mechanical specifications		
Input	2 x 7-16 female	
Connector position	Bottom	
Wind load (at Rated Wind Speed: 150 km/h)	N lbf	Frontal: 55 12 Maximal: 55 12
Max. wind velocity	km/h mph	200 124
Height/width/depth	mm inches	278 / 154 / 69 10.9 / 6.1 / 2.7
Category of mounting hardware	L (Light)	
Weight	kg lb	1.8 (tension bands incl.) 4.0 (tension bands incl.)
Packing size	mm inches	375 x 172 x 92 14.8 x 6.8 x 39.1
Scope of supply	Panel and 1 unit of tension bands for 45 – 125 mm 1.8 – 4.9 inches diameter	

Accessories

General Information

KATHREIN

Accessories (order separately if required)

Type No.	Description	Remarks mm inches	Weight approx. kg lb	Units per antenna
734360	2 tension bands	Mast diameter: 34 – 60 1.3 – 2.4	0.06 0.13	1
734361	2 tension bands	Mast diameter: 60 – 80 2.4 – 3.1	0.07 0.15	1
734362	2 tension bands	Mast diameter: 80 – 100 3.1 – 3.9	0.08 0.18	1
734363	2 tension bands	Mast diameter: 100 – 120 3.9 – 4.7	0.09 0.20	1
734364	2 tension bands	Mast diameter: 120 – 140 4.7 – 5.5	0.11 0.24	1
738546	1 clamp	Mast diameter: 42 – 115 1.7 – 4.5	1.1 2.4	2
731651	1 clamp	Mast diameter: 28 – 60 1.1 – 2.4	0.8 1.8	2
85010002	1 clamp	Mast diameter: 110 – 220 4.3 – 8.7	2.7 6.0	2
85010003	1 clamp	Mast diameter: 210 – 380 8.3 – 15.0	4.8 10.6	2
732327	1 downtilt kit	Downtilt angle: 0° – 36°	1.0 2.2	1

Accessories (included in the scope of supply)

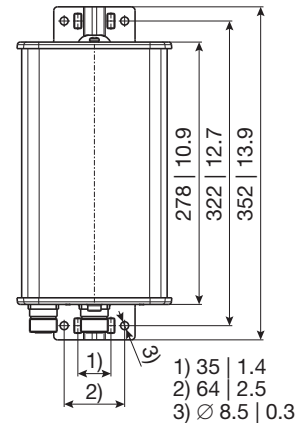
734365	2 tension bands	Mast diameter: 45 – 125 1.8 – 4.9	0.08 0.18	1
--------	-----------------	-------------------------------------	-------------	---

For downtilt mounting use the clamps for an appropriate mast diameter together with the downtilt kit.
Wall mounting: No additional mounting kit needed.

Please note: Using a downtilt kit is only possible in combination with clamps 731651, 738546 or 85010002 or 85010003.

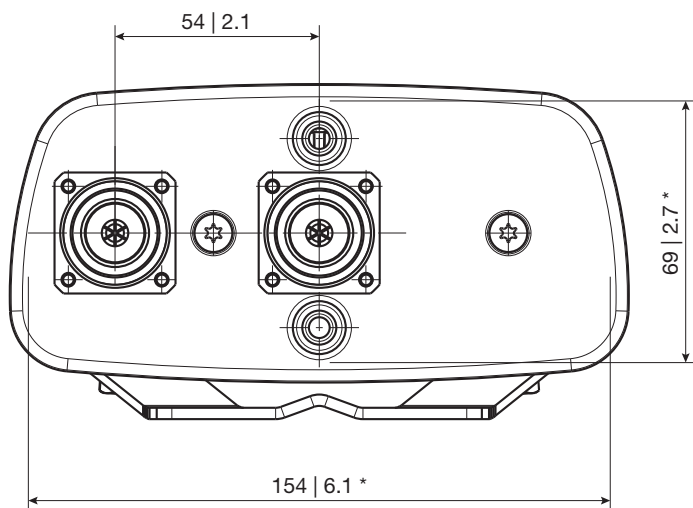
Material: Reflector screen: Aluminum. Radiator: Tin-plated zinc.
Flat fiberglass radome: The max. radome depth is only 69 mm. Fiberglass material guarantees optimum performance with regards to stability, stiffness, UV resistance and painting. The color of the radome is grey.
All nuts and bolts: Stainless steel.

Grounding: The metal parts of the antenna including the mounting kit and the inner conductors are DC grounded.



All dimensions in mm | inches

Layout of interface:



Bottom view
* Dimensions refer to radome
All dimensions in mm | inches

Any previous data sheet issues have now become invalid.