

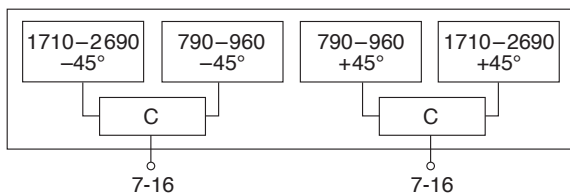
# 2-Port Antenna Frequency Range Dual Polarization HPBW Fixed Electr. DT Integrated Combiner

<b>R1</b>	<b>Y1</b>
790-960	1710-2690
X	X
65°	65°
0°	0°
C	

# KATHREIN

## 2-Port Antenna 790-960/1710-2690 C 65°/65° 8/9dBi

Type No.		80010753						
		R1			Y1			
		790-960			1710-2690			
Frequency range	MHz	790 - 862	824 - 894	880 - 960	1710 - 1990	1920 - 2200	2200 - 2490	2490 - 2690
Polarization	°	+45, -45	+45, -45	+45, -45	+45, -45	+45, -45	+45, -45	+45, -45
Average gain (dBi)	dBi	2 x 7.8	2 x 8.0	2 x 8.5	2 x 7.8	2 x 8.9	2 x 8.7	2 x 8.2
<b>Horizontal Pattern:</b>								
Half-power beam width	°	67			65	55	60	62
Front-to-back ratio	dB	Copolar: > 25	Copolar: > 25	Copolar: > 25	Copolar: > 25	Copolar: > 25	Copolar: > 25	Copolar: > 25
Cross polar ratio	dB	Typically: 15	Typically: 18	Typically: 20	Typically: 25	Typically: 25	Typically: 25	Typically: 25
Main direction	0°	> 8	> 8	> 8	> 10	> 10	> 10	> 10
Sector	±60°							
<b>Vertical Pattern:</b>								
Half-power beam width	°	65			75	60	60	65
<b>Impedance</b>	Ω	50						
VSWR		< 1.5						
Isolation: Intrasystem	dB	> 30			> 30		> 27	> 25
Intermodulation IM3	dBc	< -150 dBc (2 x 43 dBm carrier)						
Max. effective power per port	W	200 (at 50 °C ambient temperature)			100 (at 50 °C ambient temperature)			
Max. effective power for the antenna	W	300 (at 50 °C ambient temperature)						



Mechanical specifications		
Input	2 x 7-16 female	
Connector position	Bottom	
Wind load (at Rated Wind Speed: 150 km/h)	N   lbf	Frontal: 100   22 Maximal: 110   25
Max. wind velocity	km/h mph	200 124
Height / width / depth	mm inches	334 / 260 / 136 13.1 / 10.2 / 5.4
Category of mounting hardware	L (Light)	
Weight	kg lb	2.8 (tension bands incl.) 6.2 (tension bands incl.)
Packing size	mm inches	495 x 272 x 157 19.5 x 10.7 x 6.2
<b>Scope of Supply</b>	Panel and 1 unit of tension bands for 45-125 mm   1.8-4.9 inches diameter	

### Correlation Table

Frequency range	Array	Connector
790- 960 MHz	R1	1-2
1710-2690 MHz	Y1	1-2

936.4450/e Subject to alteration.

All specifications are subject to change without notice.  
The latest specifications are available at [www.kathreinusa.com](http://www.kathreinusa.com)

**80010753** Page 1 of 2

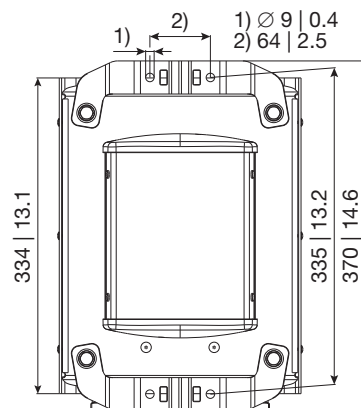
# Accessories

## General Information

# KATHREIN

### Accessories (order separately if required)

Type No.	Description	Remarks mm   inches	Weight approx. kg   lb	Units per antenna
734360	2 tension bands	Mast diameter: 34 – 60   1.3 – 2.4	0.06   0.13	1
734361	2 tension bands	Mast diameter: 60 – 80   2.4 – 3.1	0.07   0.15	1
734362	2 tension bands	Mast diameter: 80 – 100   3.1 – 3.9	0.08   0.18	1
734363	2 tension bands	Mast diameter: 100 – 120   3.9 – 4.7	0.09   0.20	1
734364	2 tension bands	Mast diameter: 120 – 140   4.7 – 5.5	0.11   0.24	1
738546	1 clamp	Mast diameter: 42 – 115   1.7 – 4.5	1.1   2.4	2
731651	1 clamp	Mast diameter: 28 – 60   1.1 – 2.4	0.8   1.8	2
85010002	1 clamp	Mast diameter: 110 – 220   4.3 – 8.7	2.7   6.0	2
85010003	1 clamp	Mast diameter: 210 – 380   8.3 – 15.0	4.8   10.6	2
732327	1 downtilt kit	Downtilt angle: 0° – 44°	1.0   2.2	1



All dimensions in mm | inches

### Accessories (included in the scope of supply)

734365	2 tension bands	Mast diameter: 45 – 125   1.8 – 4.9	0.08   0.18	1
--------	-----------------	-------------------------------------	-------------	---

For downtilt mounting use the clamps for an appropriate mast diameter together with the downtilt kit.  
Wall mounting: No additional mounting kit needed.

Please note: Using a downtilt kit is only possible in combination with clamps 731651, 738546, 85010002 or 85010003

#### Material:

**Reflector screen:** Weather-proof aluminum.

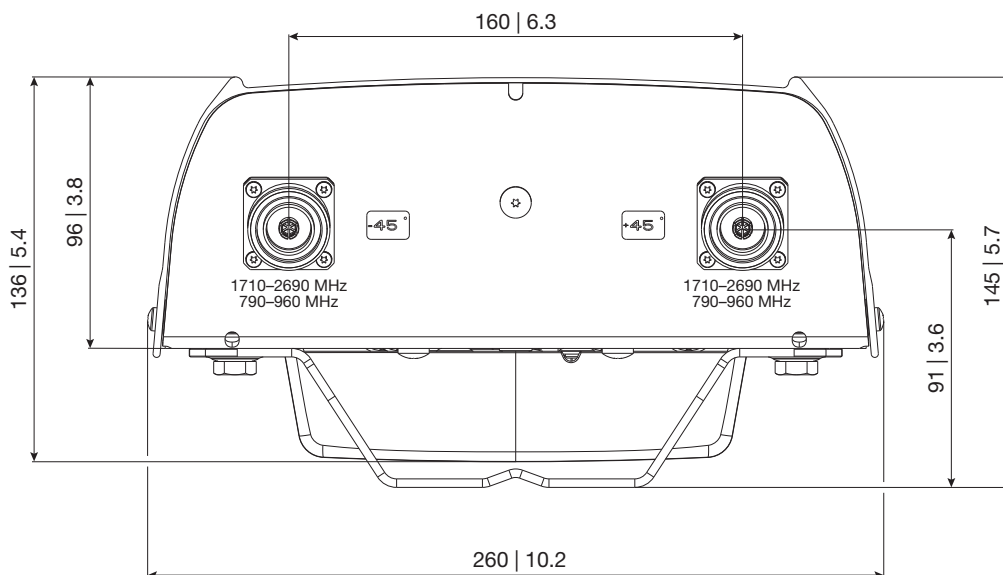
**Fiberglass housing:** The grey fiberglass radomes of these antennas are very stable and extraordinarily stiff. They are resistant to ultraviolet radiation and can also be painted to match their surroundings.

**All nuts and bolts:** Stainless steel or hot-dip galvanized steel.

#### Grounding:

The metal parts of the antenna including the mounting kit and the inner conductors are DC grounded.

#### Layout of interface:



All dimensions in mm | inches

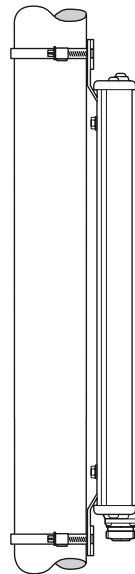
**Any previous data sheet issues have now become invalid.**

All specifications are subject to change without notice.  
The latest specifications are available at [www.kathreinusa.com](http://www.kathreinusa.com)

# Mounting Hardware

## Tension Bands Included in the Scope of Supply

Suitable for mast diameter	45 – 125 mm
Number of pieces	2 tension bands
Material	Stainless steel
Weight (approx.)	0.08 kg



**Please note:  
Only usable without downtilt kit!**

936.4060 Subject to alteration.