

Indoor Multi-band Omni Antenna Vertical Polarization

876–960

1710–2700

KATHREIN
Antennen · Electronic

V

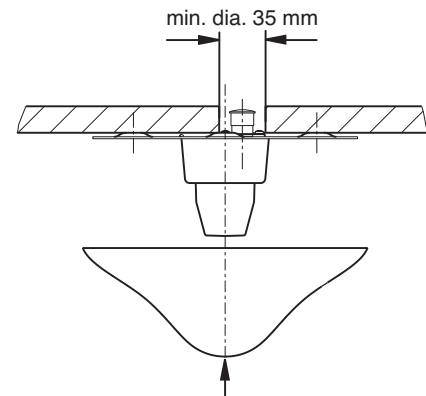
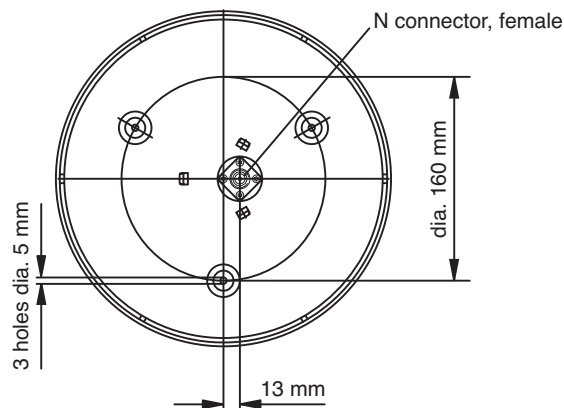
- The antenna needs no additional groundplane.

VPol Indoor 876–960/1710–2700 360° 2dBi

Type No.	80010749
Frequency range	876 – 960 MHz 1710 – 2700 MHz
Polarization	Vertical
Gain	2 dBi
Impedance	50 Ω
VSWR	876 – 890 MHz: < 2.0 890 – 960 MHz: < 1.7 1710 – 2170 MHz: < 1.6 2170 – 2700 MHz: < 2.0
Intermodulation IM3	< -140 dBc (2 x 40 dBm carrier)
Max. power	50 W (at 50 °C ambient temperature)
Input	1 x N female
Protection class	IP 30
Weight	340 g
Diameter	215 mm
Height	85 mm (without connector)



- Material:** Base: Aluminum.
Protective housing: High impact polystyrol, colour: White.
Additional painting is possible.
- Mounting:** Three holes in the base enable a mounting on the ceiling. Two types of screws are supplied. For the N connector a hole in the ceiling with a diameter of 35 mm is required.
- Grounding:** All metal parts including the inner conductor are DC grounded.
- Available accessories:** Broadband power splitters and tappers (800 – 2700 MHz).



Clip the protective housing into position after the antenna has been mounted with the help of the three supplied screws.

936.4071/a Subject to alteration.

All specifications are subject to change without notice.
The latest specifications are available at www.kathreinusa.com

80010749 Page 1 of 1