

1-Port Indoor Omni Antenna Vertical Polarization

876–960

1710–2700

KATHREIN

V

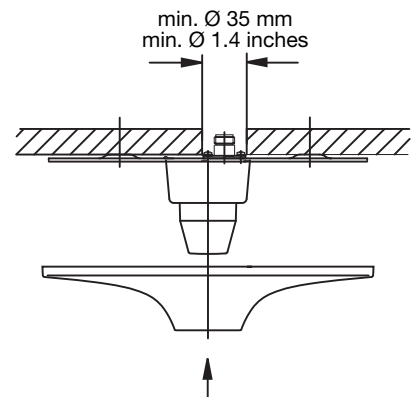
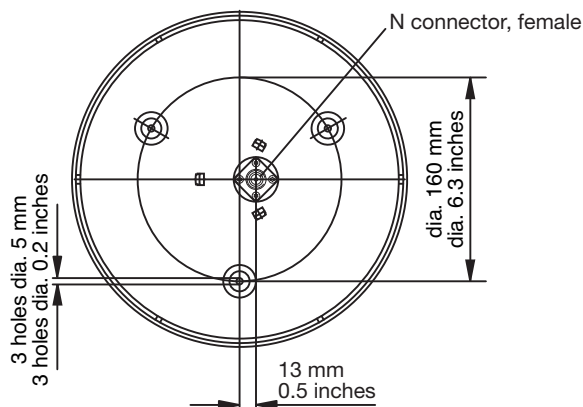
- The antenna can be operated in all frequency ranges simultaneously.
- The antenna needs no additional groundplane.

1-Port Indoor 876–960/1710–2700 360° 2dBi

Type No.		80010748
Frequency range	MHz	876 – 960 1710 – 2700
Polarization		Vertical
Gain	dBi	2
Impedance	Ω	50
VSWR		876 – 890 MHz: < 2.0 890 – 960 MHz: < 1.7 1710 – 2170 MHz: < 1.6 2170 – 2700 MHz: < 2.0
Intermodulation IM3	dBc	< -140 (2 x 40 dBm carrier)
Max. power	W	50 (at 50 °C ambient temperature)
Input		1 x N female
Protection class		IP 30
Weight	g lb	300 0.66
Diameter	mm inches	210 8.3
Height	mm inches	78 (without connector) 3.1 (without connector)



- Material:** Reflector: Aluminum.
Radome: High impact polystyrol, colour: White.
Additional painting is possible.
- Mounting:** Three holes in the base enable a mounting on the ceiling. Two types of screws are supplied. For the N connector a hole in the ceiling with a diameter of 35 mm | 1.4 inches is required.
- Grounding:** All metal parts including the inner conductor are DC grounded.
- Available accessories:** Broadband power splitters and tappers (694–2700 MHz).



Clip the protective housing into position after the antenna has been mounted with the help of the three supplied screws.

Any previous data sheet issues have now become invalid.

All specifications are subject to change without notice.
The latest specifications are available at www.kathreinusa.com

80010748 Page 1 of 1