

**2-Port Antenna** Y1  
**Frequency Range** 1710-2690  
**Dual Polarization** X  
**HPBW** 65°

**2-Port Antenna 1710-2690 65° 9.5dBi**

Type No.		<b>80010711</b>			
High band		<b>Y1</b>			
		<b>1710-2690</b>			
Frequency range	MHz	1710 – 1990	1920 – 2200	2200 – 2490	2490 – 2690
Polarization	°	+45, –45	+45, –45	+45, –45	+45, –45
Gain	dBi	8.7	9.2	9.6	9.8
<b>Horizontal Pattern:</b>					
Half-power beam width	°	Approx. 67	Approx. 62	Approx. 55	Approx. 53
Front-to-back ratio, copolar (180°±30°)	dB	> 24	> 24	> 22	> 22
Cross polar ratio 0°	dB	Typically: 20	Typically: 20	Typically: 24	Typically: 24
Cross polar ratio sector corner ±60°	dB	> 10	> 9	> 8	> 8
<b>Vertical Pattern:</b>					
Half-power beam width	°	Approx. 66	Approx. 60	Approx. 55	Approx. 53
Impedance	Ω	50			
VSWR		< 1.5			
Isolation, between ports	dB	> 27			
Intermodulation IM3	dBc	< –150 (2 x 43 dBm carrier)			
Max. power per input	W	100 (at 50 °C ambient temperature)			
Max. power per antenna	W	150 (at 50 °C ambient temperature)			



936.4462/b Subject to alteration.

**Correlation Table**

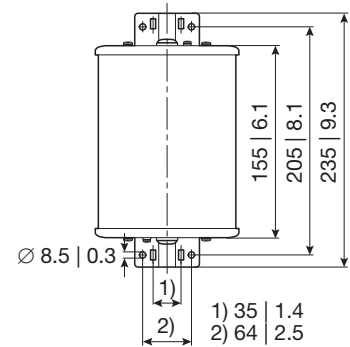
Frequency range	Array	Connector
1710-2690 MHz	Y1	1-2

Mechanical specifications			
Input	2 x 7-16 female		
Connector position *	Bottom or top		
Wind load (at Rated Wind Speed: 150 km/h)	N   lbf	Frontal	50   11
		Lateral	13   3
		Rearside	55   12
Max. wind velocity	km/h mph	200 124	
Height / width / depth	mm inches	155 / 155 / 69 6.1 / 6.1 / 2.7	
Category of mounting hardware	L (Light)		
Weight	kg lb	1.5 (tension bands incl.) 3.3 (tension bands incl.)	
Packing size	mm inches	257 x 172 x 92 10.1 x 6.8 x 3.6	
<b>Scope of Supply</b>	Panel and 1 unit of tension bands for 45-125 mm   1.8-4.9 inches diameter		

\* Inverted mounting:  
Connector position top: Change drain hole screw

### Accessories (order separately if required)

Type No.	Description	Remarks mm / inches	Weight approx. kg   lb	Units per antenna
734360	2 tension bands	Mast diameter: 34 – 60   1.3 – 2.4	0.06   0.13	1
734361	2 tension bands	Mast diameter: 60 – 80   2.4 – 3.1	0.07   0.15	1
734362	2 tension bands	Mast diameter: 80 – 100   3.1 – 3.9	0.08   0.18	1
734363	2 tension bands	Mast diameter: 100 – 120   3.9 – 4.7	0.09   0.20	1
734364	2 tension bands	Mast diameter: 120 – 140   4.7 – 5.5	0.11   0.24	1
738546	1 clamp	Mast diameter: 42 – 115   1.7 – 4.5	1.1   2.4	1
734651	1 clamp	Mast diameter: 28 – 60   1.1 – 2.4	0.8   1.8	1
85010002	1 clamp	Mast diameter: 110 – 220   4.3 – 8.7	2.7   6.0	1
85010003	1 clamp	Mast diameter: 210 – 380   8.3 – 15.0	4.8   10.6	1



All dimensions in mm | inches

### Accessories (included in the scope of supply)

*734365	2 tension bands	Mast diameter: 45 – 125   1.8 – 4.9	0.08   0.18	1
---------	-----------------	-------------------------------------	-------------	---

\*U.S. customers order 1311847 for replacements

Wall mounting: No additional mounting kit needed.

#### Material:

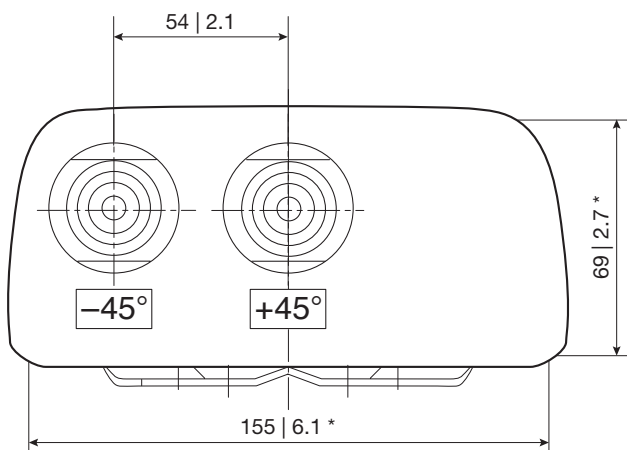
**Reflector screen:** Tin-plated copper. **Radiator:** Tin-plated zinc.  
**Flat fiberglass radome:** The max. radome depth is only 69 mm | 2.7 inches. Fiberglass material guarantees optimum performance with regards to stability, stiffness, UV resistance and painting. The color of the radome is grey.

**All screws and nuts:** Stainless steel.

#### Grounding:

The metal parts of the antenna including the mounting kit and the inner conductors are DC grounded.

#### Layout of interface:



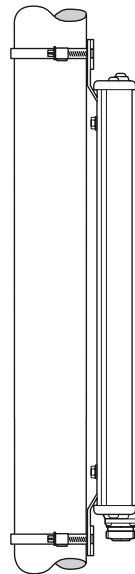
Bottom view  
 \* Dimensions refer to radome  
 All dimensions in mm | inches

936.4462/b Subject to alteration.

# Mounting Hardware

## Tension Bands Included in the Scope of Supply

Suitable for mast diameter	45 – 125 mm
Number of pieces	2 tension bands
Material	Stainless steel
Weight (approx.)	0.08 kg



**Please note:  
Only usable without downtilt kit!**

936.4060 Subject to alteration.