

2-Port Indoor Omni Antenna Dual Polarization

790-960

1710-2700

1710-2700

KATHREIN

V

H

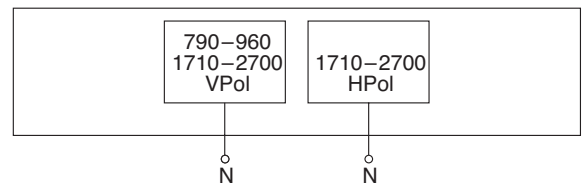
- The antenna can be operated in all frequency ranges simultaneously.
- The antenna needs no additional groundplane.

2-Port Indoor 790-960/1710-2700/1710-2700 360° 2dBi

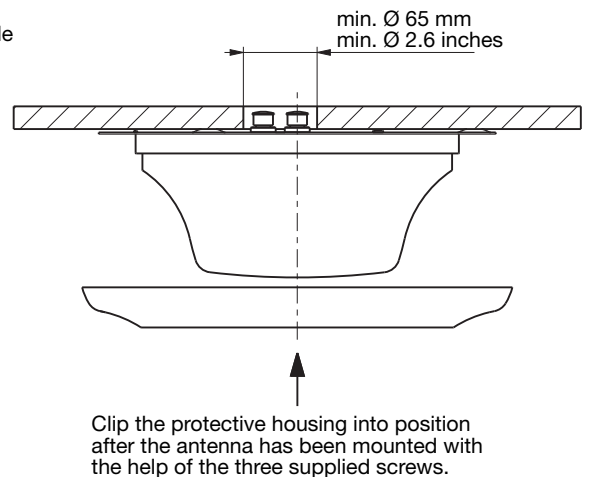
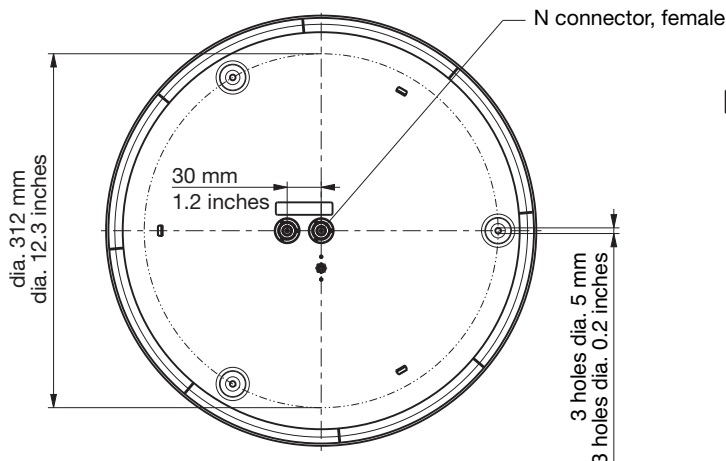
Type No.		80010710	
Frequency range	MHz	790 - 960 1710 - 2700	1710 - 2700
Polarization		Vertical	Horizontal
Gain, typ.	dBi	≈ 2	
Impedance	Ω	50	
VSWR		790 - 960 MHz: < 2.0 1710 - 2700 MHz: < 2.0	1710 - 2700 MHz: < 2.0
Isolation between Ports	dB	> 30	
Intermodulation IM3	dBc	< -140 (2 x 40 dBm carrier)	
Max. power	W	50 (at 50 °C ambient temperature)	
Input		2 x N female	
Protection class		IP 30	
Weight	kg lb	1 2.2	
Packing size	mm inches	400 x 400 x 200 15.7 x 15.7 x 8.3	
Diameter	mm inches	380 15.0	
Height	mm inches	118 (without connector) 4.6 (without connector)	
Fire load	kWh	4.41	



- Material:** Reflector: Aluminum.
Radome: High impact polystyrol, colour: White.
Additional painting is possible.
- Mounting:** Three holes in the base enable a mounting on the ceiling. Two types of screws are supplied. For the N connectors a hole in the ceiling with a diameter of 65 mm | 2.6 inches is required.
- Available accessories:** Broadband power splitters and tappers (790 - 2700 MHz).



936.4522/b Subject to alteration.



Any previous data sheet issues have now become invalid.

All specifications are subject to change without notice.
The latest specifications are available at www.kathreinusa.com