

2-Port Antenna Y1

Frequency Range 1710–2690

Dual Polarization X

HPBW 65°

Adjust. Electr. DT 0°–6°

set by hand or by optional RCU (Remote Control Unit)



**2-Port Antenna 1710–2690 65° 19dBi 0°–6°T**

Type No.		<b>80010651</b>			
Highband		<b>Y1</b>			
		<b>1710–2690</b>			
Frequency range	MHz	1710 – 1990	1920 – 2170	2170 – 2490	2490 – 2690
Polarization	°	+45, –45	+45, –45	+45, –45	+45, –45
Gain at 0° tilt	dB	18.5	19.0	19.4	19.5
<b>Horizontal Pattern:</b>					
Half-power beam width	°	67	63	60	58
Front-to-back ratio (180°±30°)	dB	> 28	> 28	> 25	> 25
Cross polar ratio	0°	Typically: 25	Typically: 25	Typically: 25	Typically: 28
Sector	±60°	> 10	> 10	> 10	> 10
Tracking, Avg.	dB	1.5			
Squint	°	±3			
<b>Vertical Pattern:</b>					
Half-power beam width	°	5.4	4.9	4.3	4.0
Electrical tilt	°	0–6, continuously adjustable			
Sidelobe supression for first sidelobe above main beam	°T	0 ... 3 ... 6	0 ... 3 ... 6	0 ... 3 ... 6	0 ... 3 ... 6
	dB	≥ 18 ... 18 ... 17	≥ 18 ... 18 ... 16	≥ 18 ... 18 ... 16	≥ 18 ... 18 ... 17
Impedance	Ω	50			
VSWR		< 1.5			
Isolation, between ports	dB	> 30			
Intermodulation IM3	dBc	< –150 (2 x 43 dBm carrier)			
Max. power per input	W	300 (at 50 °C ambient temperature)			



Mechanical specifications		
Input	2 x 7-16 female	
Connector position	Bottom	
Adjustment mechanism	1x, Position bottom continuously adjustable	
Wind load (at Rated Wind Speed: 150 km/h)	N   lbf	Frontal: 295   66 Maximal: 325   73
Max. wind velocity	km/h mph	200 124
Height/width/depth	mm inches	1670 / 155 / 70 65.7 / 6.1 / 2.8
Category of mounting hardware	M (Medium)	
Weight	kg lb	7 / 9.2 (clamps incl.) 15.4 / 20.3 (clamps incl.)
Packing size	mm inches	1934 x 172 x 92 76.1 x 6.8 x 3.6
<b>Scope of supply</b>	Panel and 2 units of clamps for 42–115 mm   1.7–4.5 inches diameter	

936.4837/a Subject to alteration.

# Accessories

## General Information

# KATHREIN

### Accessories (order separately if required)

Type No.	Description	Remarks mm / inches	Weight approx. kg   lb	Units per antenna
731651	1 clamp	Mast diameter: 28 – 60   1.1 – 2.4	0.8   1.8	2
85010002	1 clamp	Mast diameter: 110 – 220   4.3 – 8.7	2.7   6.0	2
85010003	1 clamp	Mast diameter: 210 – 380   8.3 – 15.0	4.8   10.6	2
737978	1 downtilt kit	Downtilt angle: 0° – 15°	2.3   5.1	1

### Accessories (included in the scope of supply)

738546	1 clamp	Mast diameter: 42 – 115   1.7 – 4.5	1.1   2.4	2
--------	---------	-------------------------------------	-----------	---

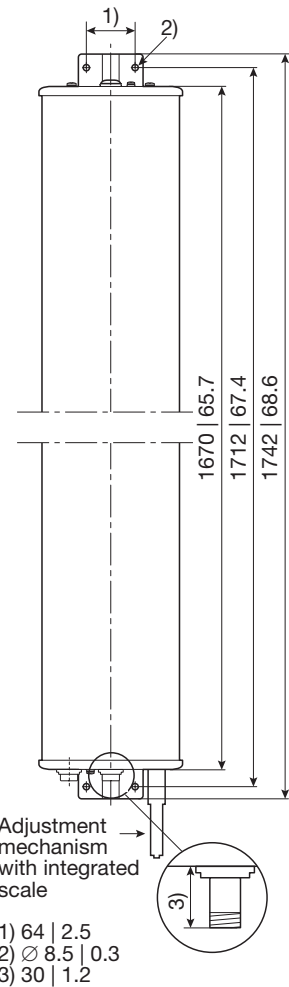
For downtilt mounting use the clamps for an appropriate mast diameter together with the downtilt kit.  
Wall mounting: No additional mounting kit needed.

#### Material:

**Reflector screen:** Aluminum. **Radiator:** Tin-plated zinc.  
**Flat fiberglass radome:** The max. radome depth is only 70 mm | 2.8 inches. Fiberglass material guarantees optimum performance with regards to stability, stiffness, UV resistance and painting. The colour of the radome is grey.  
**All nuts and bolts:** Stainless steel.

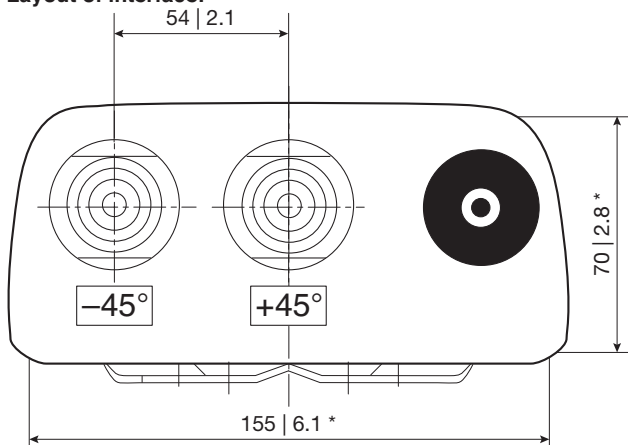
#### Grounding:

The metal parts of the antenna including the mounting kit and the inner conductors are DC grounded.



All dimensions in mm | inches

#### Layout of interface:



Bottom view  
\* Dimensions refer to radome  
All dimensions in mm | inches

All previous data sheet issues have now become invalid.