

**4-Port Antenna
Frequency Range
Dual Polarization
HPBW**

Y1 **Y2**

1695-2690 **1695-2690**

X **X**

65° **65°**

Adjust. Electr. DT

2°-14° **2°-14°**

Enhanced Sidelobe Suppression

18dB **18dB**

Downtilt set by hand or by optional RCU (Remote Control Unit)



4-Port Antenna 1695-2690/1695-2690 65°/65° 18/18dBi 2°-14°/2°-14°T ESLS

Type No.		80010622v01			
Left side, highband		Y1, connector 1-2			
		1695-2690			
Frequency Range	MHz	1695 – 1880	1920 – 2180	2300 – 2400	2490 – 2690
Gain at mid Tilt	dBi	17.4	18.0	18.6	18.8
Gain over all Tilts	dBi	17.3 ± 0.4	17.9 ± 0.4	18.3 ± 0.4	18.6 ± 0.4
Horizontal Pattern:					
Azimuth Beamwidth	°	66 ± 3.2	63 ± 2.6	60 ± 3.5	56 ± 2.6
Front-to-Back Ratio, Total Power, ± 30°	dB	> 24	> 24	> 26	> 23
Cross Polar Discrimination at Boresight	dB	> 22	> 22	> 22	> 18
Cross Polar Discrimination over Sector	dB	> 12.5	> 10.0	> 9.5	> 13.0
Vertical Pattern:					
Elevation Beamwidth	°	6.8 ± 0.5	6.1 ± 0.5	5.2 ± 0.3	4.9 ± 0.3
Electrical Downtilt continuously adjustable	°	2.0 – 14.0			
Tilt Accuracy	°	< 0.3	< 0.3	< 0.2	< 0.2
First Upper Side Lobe Suppression	dB	> 20	> 20	> 20	> 20
Upper Side Lobe Suppression, 20° Sector above Main Beam	dB	> 17	> 17	> 16	> 16
Cross Polar Isolation	dB	> 30			
Port to Port Isolation	dB	> 30 (Y1 // Y2)			
Max. Effective Power per Port	W	250 (at 50 °C ambient temperature)			
Max. Effective Power Port 1-2	W	500 (at 50 °C ambient temperature)			

Values based on NGMN-P-BASTA (version 9.6) requirements.



Right side, highband		Y2, connector 3-4			
		1695-2690			
Frequency Range	MHz	1695 – 1880	1920 – 2180	2300 – 2400	2490 – 2690
Gain at mid Tilt	dBi	17.2	17.9	18.6	18.9
Gain over all Tilts	dBi	17.1 ± 0.4	17.8 ± 0.5	18.4 ± 0.4	18.7 ± 0.5
Horizontal Pattern:					
Azimuth Beamwidth	°	68 ± 3.8	64 ± 4.1	59 ± 2.6	55 ± 2.0
Front-to-Back Ratio, Total Power, ± 30°	dB	> 25	> 26	> 25	> 23
Cross Polar Discrimination at Boresight	dB	> 22	> 22	> 22	> 19
Cross Polar Discrimination over Sector	dB	> 13.5	> 11.0	> 9.5	> 12.0
Vertical Pattern:					
Elevation Beamwidth	°	6.8 ± 0.4	6.0 ± 0.5	5.2 ± 0.3	4.8 ± 0.2
Electrical Downtilt continuously adjustable	°	2.0 – 14.0			
Tilt Accuracy	°	< 0.3	< 0.3	< 0.2	< 0.2
First Upper Side Lobe Suppression	dB	> 19	> 19	> 20	> 20
Upper Side Lobe Suppression, 20° Sector above Main Beam	dB	> 18	> 17	> 17	> 15
Cross Polar Isolation	dB	> 30			
Port to Port Isolation	dB	> 30 (Y1 // Y2)			
Max. Effective Power per Port	W	250 (at 50 °C ambient temperature)			
Max. Effective Power Port 3-4	W	500 (at 50 °C ambient temperature)			

Values based on NGMN-P-BASTA (version 9.6) requirements.

Electrical specifications, all systems		
Impedance	Ω	50
VSWR		< 1.5
Return Loss	dB	> 14
Interband Isolation	dB	> 30
Passive Intermodulation	dBc	< -150 (2 x 43 dBm carrier)
Polarization	$^{\circ}$	-45, +45
Max. Effective Power for the Antenna	W	700 (at 50 °C ambient temperature)

Values based on NGMN-P-BASTA (version 9.6) requirements.

Mechanical specifications		
Input	4 x 7-16 female	
Connector Position	bottom	
Adjustment Mechanism	2x, Position bottom continuously adjustable	
Wind load (at Rated Wind Speed: 150 km/h)	N lbf	Frontal: 565 127 Maximal: 620 139
Max. Wind Velocity	km/h mph	200 124
Height / Width / Depth	mm inches	1471 / 275 / 86 57.9 / 10.8 / 3.4
Category of Mounting Hardware	M (Medium)	
Weight	kg lb	13.0 / 14.5 (clamps incl.) 28.7 / 32.0 (clamps incl.)
Packing Size	mm inches	1791 / 298 / 119 70.5 / 11.7 / 4.7
Scope of Supply	Panel and 2 units of clamps for 42–115 mm 1.7–4.5 inches diameter	

Accessories (order separately if required)

Type No.	Description	Remarks mm inches	Weight approx. kg lb	Units per antenna
731651	1 clamp	Mast diameter: 28 – 60 1.1 – 2.4	0.8 1.8	2
85010002	1 clamp	Mast diameter: 110 – 220 4.3 – 8.7	2.7 6.0	2
85010003	1 clamp	Mast diameter: 210 – 380 8.3 – 15.0	4.8 10.6	2
737978	1 downtilt kit	Downtilt angle: 0° – 15°	2.3 5.1	1

Accessories (included in the scope of supply)

738546	1 clamp	Mast diameter: 42 – 115 1.7 – 4.5	1.1 2.4	2
--------	---------	-------------------------------------	-----------	---

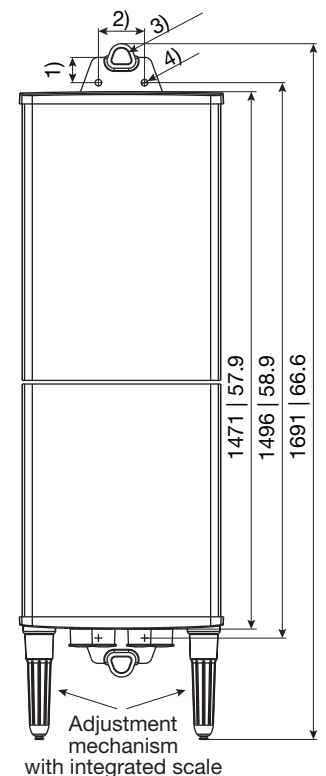
For downtilt mounting use the clamps for an appropriate mast diameter together with the downtilt kit.
Wall mounting: No additional mounting kit needed.

Material:

Reflector screen: Aluminum. **Radiator:** Tin-plated zinc.
Flat fiberglass radome: The max. radome depth is only 86 mm | 3.4 inches. Fiberglass material guarantees optimum performance with regards to stability, stiffness, UV resistance and painting. The color of the radome is grey.
All screws and nuts: Stainless steel.

Grounding:

The metal parts of the antenna including the mounting kit and the inner conductors are DC grounded.



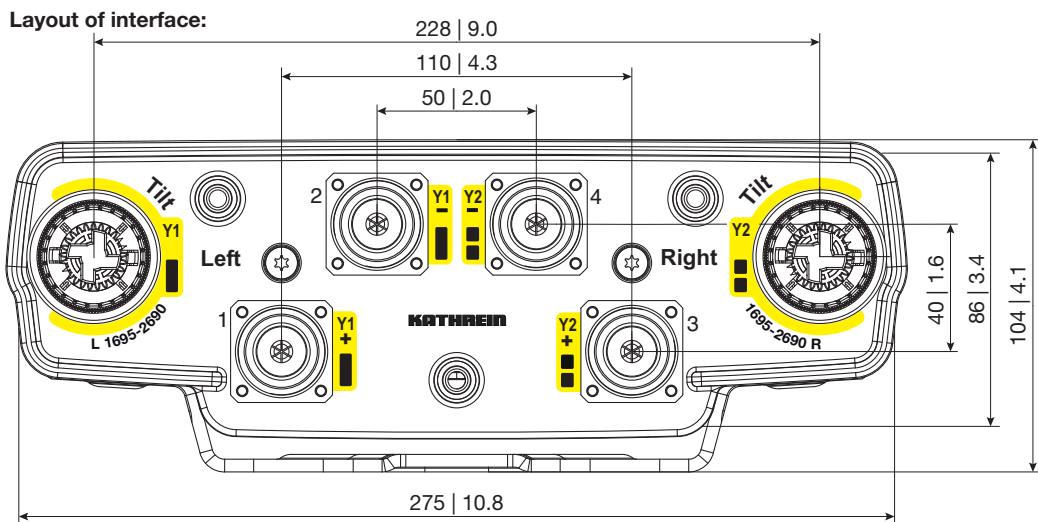
- 1) 35 | 1.4 3) \varnothing 22 | 0.9
2) 64 | 2.5 4) \varnothing 9 | 0.4

All dimensions in mm | inches

936.4845/c ngmn 04.19.01.03 Subject to alteration.

All specifications are subject to change without notice.
The latest specifications are available at www.kathreinusa.com

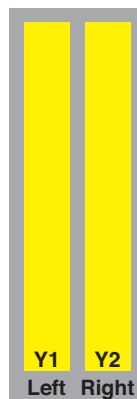
80010622v01 Page 3 of 4



Bottom view
All dimensions in mm | inches

Correlation Table

Frequency range	Array	Connector
1695–2690 MHz	Y1	1–2
1695–2690 MHz	Y2	3–4



936.4845/c ngmn 04.19.01.03 Subject to alteration.

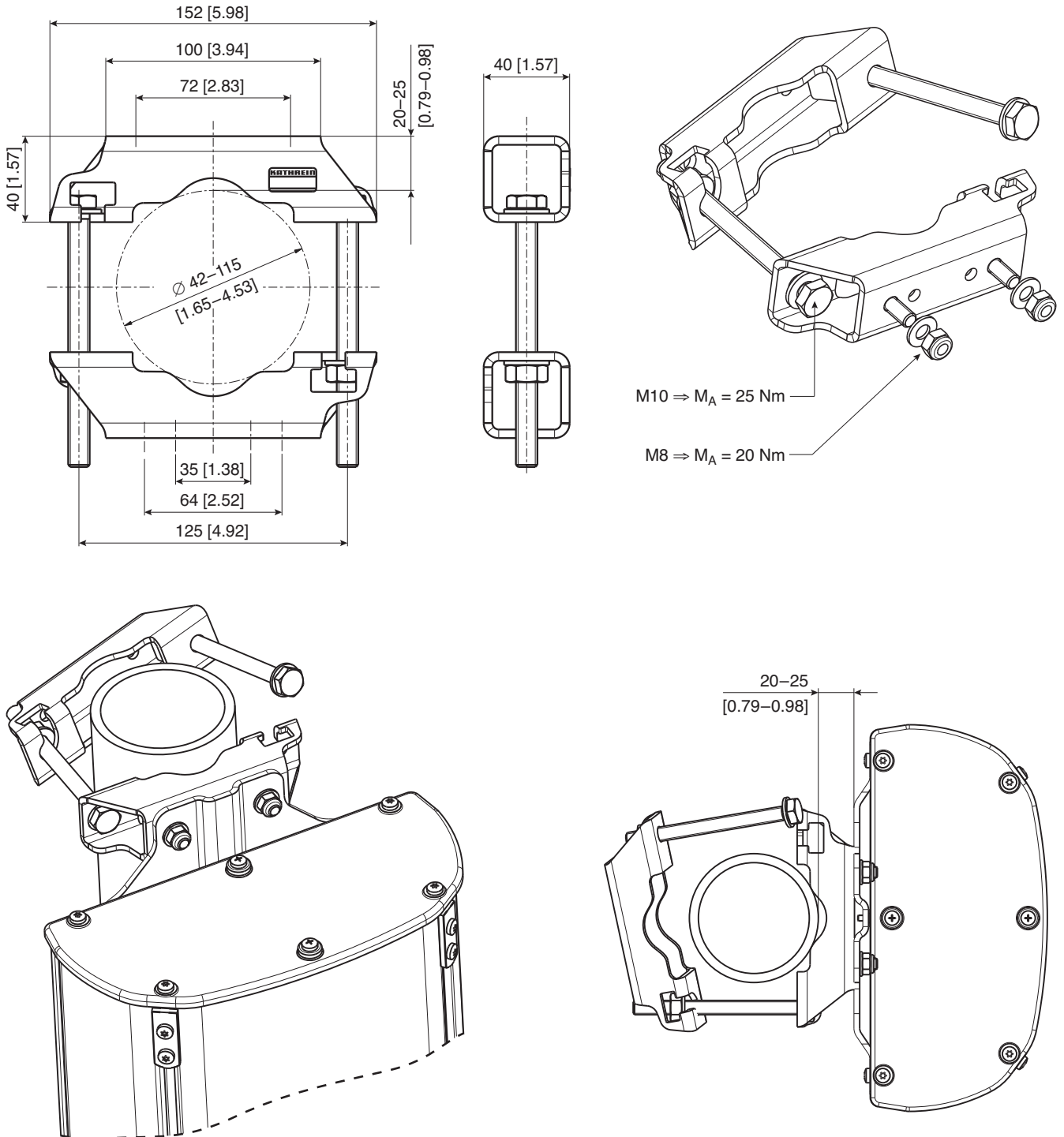
Any previous data sheet issues have now become invalid.

Mounting Hardware

Clamp Included in the Scope of Supply

KATHREIN

Suitable for mast diameter	(mm) [inches]	42 – 115 [1.65 – 4.53]
Antenna – mast distance	(mm) [inches]	20 – 25 [0.79 – 0.98]
Material of clamp and screws		Hot-dip galvanized steel / stainless steel
Weight	(kg) [lb]	1.1 [2.43]



936.3920/c Subject to alteration.

**Please note: Kathrein does not recommend to use counter nuts.
The additional nuts supplied are only meant as spares.**

All dimensions in mm and [inches]

All specifications are subject to change without notice.
The latest specifications are available at www.kathreinusa.com

738546 Page 1 of 1