

1-Port Indoor Antenna Vertical Polarization

1710–6000

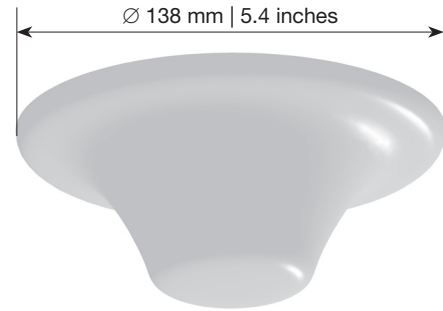
V

KATHREIN

- The antenna can be operated in all frequency ranges simultaneously.
- The antenna needs no additional groundplane.

1-Port Indoor 1710–6000 360° 2dBi

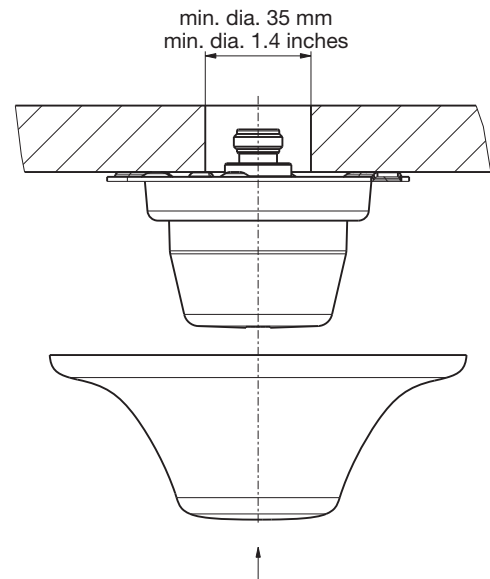
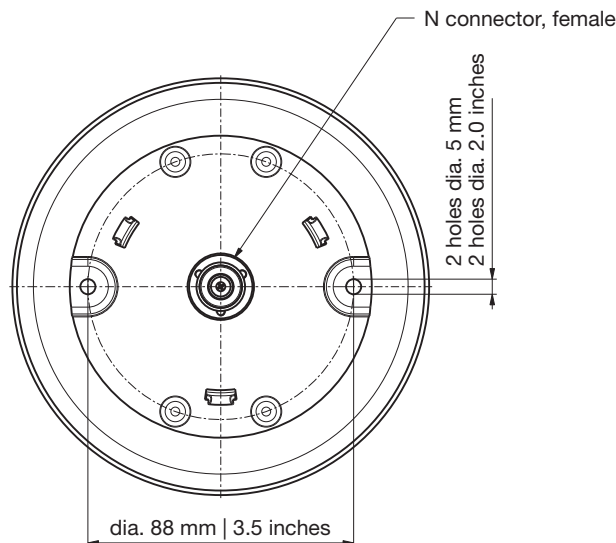
Type No.		80010430
Frequency range	MHz	1710 – 6000
Polarization		Vertical
Gain	dBi	2
Impedance	Ω	50
VSWR		< 1.5
Intermodulation IM3	dBc	1710 – 3800 MHz: < -140 (2 x 40 dBm carrier) 3800 – 6000 MHz: not relevant
Max. power	W	50 (at 50 °C ambient temperature)
Input		1 x N female
Protection class		IP 30
Weight	g lb	133 0.29
Diameter	mm inches	138 5.4
Height	mm inches	56 (without connector) 2.3 (without connector)



Material: Base: Aluminum.
Protective housing: High impact polystyrol, colour: White.
Additional painting is possible.

Mounting: Holes in the base enable a mounting on the ceiling. Screws are supplied.
For the N connector a hole in the ceiling with a diameter of 35 mm | 1.4 inches is required.

Available accessories: Broadband power splitters (694–3800 MHz) and tappers (380–5920 MHz).



Clip the protective housing into position after the antenna has been mounted with the help of the three supplied screws.

936.3144/b Subject to alteration.

Any previous data sheet issues have now become invalid.

All specifications are subject to change without notice.
The latest specifications are available at www.kathreinusa.com

80010430 Page 1 of 1