

2-Port Antenna B1

Frequency Range 1710–2200

Dual Polarization X

HPBW 62°

Adjust. Electr. DT 0°–6°

set by hand or by optional RCU (Remote Control Unit)



**2-Port Antenna 1710–2200 62° 21.2dBi 0°–6°T**

Type No.		<b>80010378</b>		
Highband		<b>B1</b>		
		<span style="border: 1px solid black; padding: 2px;">1710–2200</span>		
Frequency range	MHz	1710 – 1880	1850 – 1990	1920 – 2200
Polarization	°	+45, –45	+45, –45	+45, –45
Gain	dBi	2 x 20.6	2 x 21.1	2 x 21.2
<b>Horizontal Pattern:</b>				
Half-power beam width	°	65	62	60
Front-to-back ratio (180°±30°)	dB	> 30	> 28	> 28
Cross polar ratio	0°	25	23	23
Sector	±60°	> 10	> 10	> 10
Tracking, Avg.	dB	1.0		
Squint	°	±2.5		
<b>Vertical Pattern:</b>				
Half-power beam width	°	3.7	3.5	3.3
Electrical tilt	°	0–6, continuously adjustable		
Sidelobe supression for first sidelobe above main beam	°T	0 ... 3 ... 6	0 ... 3 ... 6	0 ... 3 ... 6
	dB	18 ... 18 ... 17	18 ... 17 ... 17	17 ... 17 ... 17
Null-fill at 0° tilt	dB	20	20	20
Impedance	Ω	50		
VSWR		< 1.5		
Isolation, between ports	dB	> 30		
Intermodulation IM3	dBc	< –150 (2 x 43 dBm carrier)		
Max. power per input	W	300 (at 50 °C ambient temperature)		

Mechanical specifications	
Input	2 x 7-16 female
Connector position	Bottom
Adjustment mechanism	1x, Position bottom continuously adjustable
Wind load (at Rated Wind Speed: 150 km/h)	N   lbf Frontal: 485   109 Maximal: 535   120
Max. wind velocity	km/h mph 200 124
Height/width/depth	mm inches 2548 / 155 / 89 100.3 / 6.1 / 3.5
Category of mounting hardware	M (Medium)
Weight	kg lb 13 / 15 (clamps incl.) 28.7 / 33.1 (clamps incl.)
Packing size	mm inches 2816 x 173 x 113 110.9 x 6.8 x 4.4
<b>Scope of supply</b>	Panel and 2 units of clamps for 42–115 mm   1.7–4.5 inches diameter

936.4838/a Subject to alteration.

# Accessories

## General Information

# KATHREIN

### Accessories (order separately if required)

Type No.	Description	Remarks mm / inches	Weight approx. kg   lb	Units per antenna
85010002	1 clamp	Mast diameter: 110 – 220   4.3 – 8.7	2.7   6.0	2
85010003	1 clamp	Mast diameter: 210 – 380   8.3 – 15.0	4.8   10.6	2
737978	1 downtilt kit	Downtilt angle: 0° – 8°	2.3   5.1	1

### Accessories (included in the scope of supply)

738546	1 clamp	Mast diameter: 42 – 115   1.7 – 4.5	1.1   2.4	2
--------	---------	-------------------------------------	-----------	---

For downtilt mounting use the clamps for an appropriate mast diameter together with the downtilt kit.  
Wall mounting: No additional mounting kit needed.

#### Material:

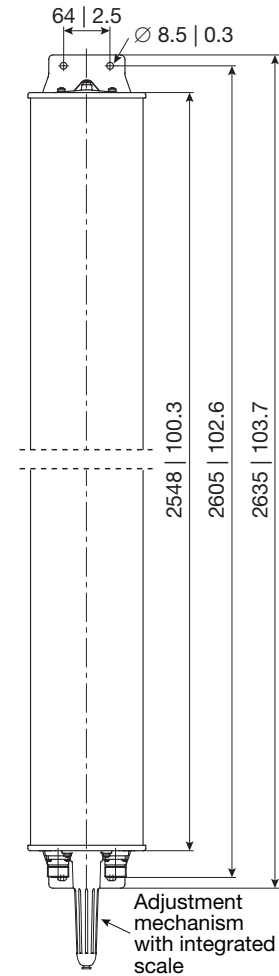
**Reflector screen:** Aluminum. **Radiator:** Tin-plated zinc.

**Flat fiberglass radome:** The max. radome depth is only 89 mm | 3.5 inches. Fiberglass material guarantees optimum performance with regards to stability, stiffness, UV resistance and painting. The color of the radome is grey.

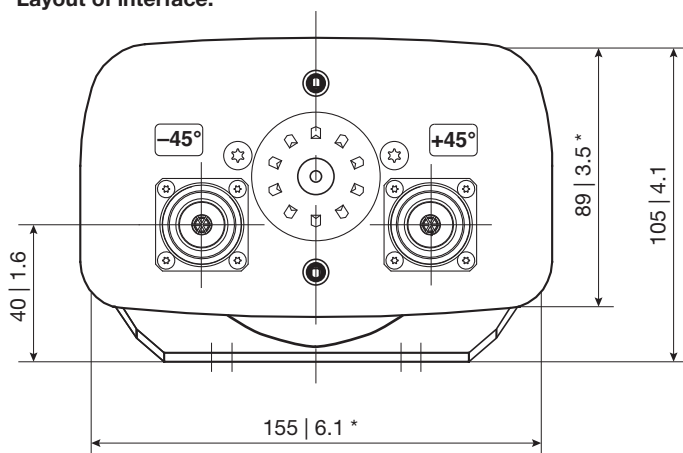
**All screws and nuts:** Stainless steel or hot-dip galvanized steel.

#### Grounding:

The metal parts of the antenna including the mounting kit and the inner conductors are DC grounded.



#### Layout of interface:



Bottom view  
\* Dimensions refer to radome  
All dimensions in mm | inches

Any previous data sheet issues have now become invalid.