

1-Port Indoor Omni Antenna Vertical Polarization

790-960

1425-3800

5150-6000

KATHREIN

V

- The antenna can be operated in all frequency ranges simultaneously.
- The antenna needs no additional groundplane.

1-Port Indoor 790-960/1425-3800/5150-6000 360° 2dBi

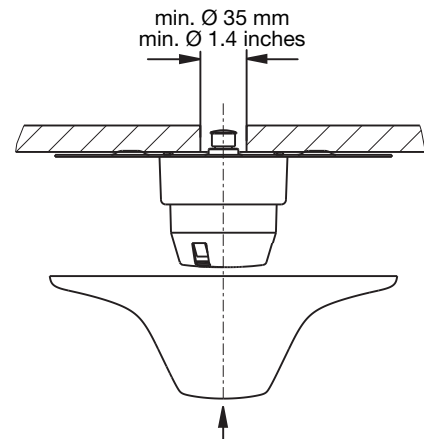
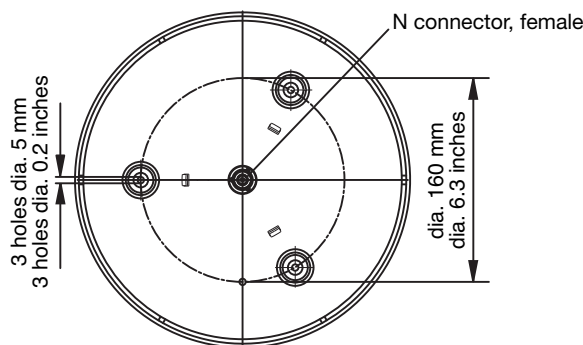
Type No.		80010249
Frequency range	MHz	790 – 960 1425 – 3800 5150 – 6000
Polarization		Vertical
Gain, typ.	dBi	≈ 2
Impedance	Ω	50
VSWR		790 – 806 MHz: < 1.7 806 – 960 MHz: < 1.5 1425 – 1710 MHz: < 2.0 1710 – 2200 MHz: < 1.4 2200 – 3800 MHz: < 1.6 5150 – 5300 MHz: < 2.4 5300 – 6000 MHz: < 2.0
Intermodulation IM3	dBc	790 – 960 MHz: < -140 (2 x 40 dBm carrier) 1710 – 3800 MHz: < -140 (2 x 40 dBm carrier) 5150 – 6000 MHz: not relevant
Max. power	W	50 (at 50 °C ambient temperature)
Input		1 x N female
Protection class		IP 30
Weight	g lb	Approx. 500 Approx. 1.1
Packing size	mm inches	277 x 277 x 169 10.9 x 10.9 x 6.7
Diameter	mm inches	258 10.2
Height	mm inches	94 (without connector) 3.7 (without connector)
Fire load	kWh	2.12



Material: Reflector: Aluminum.
Radome: High impact polystyrol, colour: White.
Additional painting is possible.

Mounting: Three holes in the base enable a mounting on the ceiling. Two types of screws are supplied. For the N connector a hole in the ceiling with a diameter of 35 mm | 1.4 inches is required.

Available accessories: Broadband power splitters and tappers.



Clip the protective housing into position after the antenna has been mounted with the help of the three supplied screws.

936.2506/g Subject to alteration.

Any previous data sheet issues have now become invalid.

All specifications are subject to change without notice.
The latest specifications are available at www.kathreinusa.com

80010249 Page 1 of 1