

**Dual-band Panel
Vertical Polarization
Half-power Beam Width
Integrated Combiner**

824–960	1710–2170
V	V
90°	82°
C	

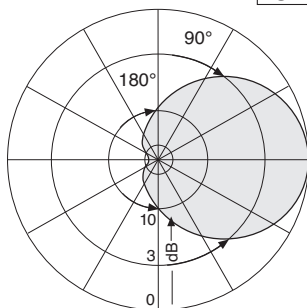
KATHREIN

VVPol Panel 824–960/1710–2170 C 90°/82° 7/7dBi

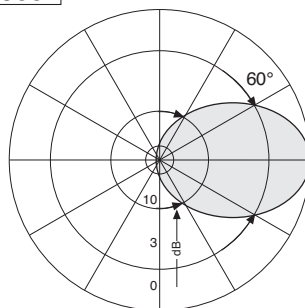
Type No.	742290	
Frequency range	824 – 960 MHz	1710 – 2170 MHz
Polarization	Vertical	Vertical
Gain	7 dBi	7 dBi
Half-power beam width	Horizontal: 90° Vertical: 60°	Horizontal: 82° Vertical: 70°
Front-to-back ratio	> 18 dB	> 20 dB
Impedance	50 Ω	50 Ω
VSWR	< 1.5	< 1.5
Intermodulation IM3 (2 x 43 dBm carrier)	< -150 dBc	< -150 dBc
Max. power per input	100 W (at 50 °C ambient temperature)	



824–960

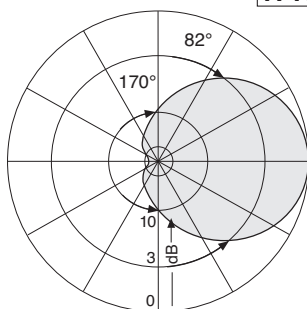


Horizontal Pattern

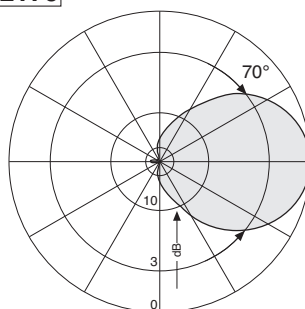


Vertical Pattern

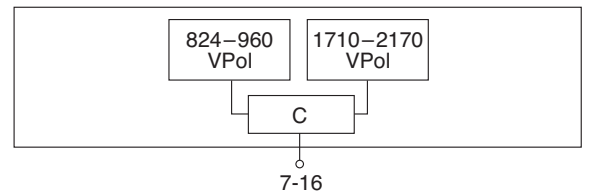
1710–2170



Horizontal Pattern



Vertical Pattern



Mechanical specifications

Input	1 x 7-16 female
Connector position*	Bottom or top
Wind load	Frontal: 90 N (at 150 km/h) Lateral: 25 N (at 150 km/h) Rearside: 100 N (at 150 km/h)
Max. wind velocity	200 km/h
Height/width/depth	328 / 155 / 69 mm
Category of mounting hardware	L (Light)
Weight	2.8 kg
Packing size	444 x 172 x 92 mm

* Inverted mounting:
Connector position top: Change drain hole screw

936.2424/e Subject to alteration.

Accessories

Type No.	Description	Remarks	Weight approx.	Units per antenna
734365	2 tension bands	Mast: 45 – 125 mm diameter	0.08 kg	1 (order separately if required)
734360	2 tension bands	Mast: 34 – 60 mm diameter	0.06 kg	1 (order separately if required)
734361	2 tension bands	Mast: 60 – 80 mm diameter	0.07 kg	1 (order separately if required)
734362	2 tension bands	Mast: 80 – 100 mm diameter	0.08 kg	1 (order separately if required)
734363	2 tension bands	Mast: 100 – 120 mm diameter	0.09 kg	1 (order separately if required)
734364	2 tension bands	Mast: 120 – 140 mm diameter	0.11 kg	1 (order separately if required)
738546	1 clamp	Mast: 42 – 115 mm diameter	1.1 kg	2 (order separately if required)
731651	1 clamp	Mast: 28 – 60 mm diameter	0.8 kg	2 (order separately if required)
85010002	1 clamp	Mast: 110 – 220 mm diameter	2.7 kg	2 (order separately if required)
85010003	1 clamp	Mast: 210 – 380 mm diameter	4.8 kg	2 (order separately if required)
732327	1 downtilt kit	Downtilt angle: 0° – 40°	1.3 kg	1 (order separately if required)

For downtilt mounting use the clamps for an appropriate mast diameter together with the downtilt kit.
Wall mounting: No additional mounting kit needed.

Material:

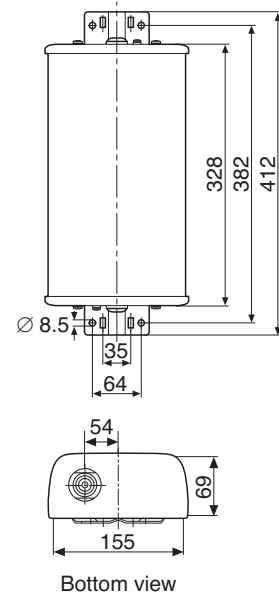
Reflector screen and radiator: Tin-plated copper.

Fiberglass radome: The max. radome depth is only 69 mm. Fiberglass material guarantees optimum performance with regards to stability, stiffness, UV resistance and painting. The colour of the radome is grey.

All screws and nuts: Stainless steel.

Grounding:

The metal parts of the antenna including the mounting kit and the inner conductors are DC grounded.



Any previous data sheet issues have now become invalid.