

<b>4-Port Antenna</b>	<b>R1</b>	<b>B1</b>
<b>Frequency Range</b>	<b>790-960</b>	<b>1710-2170</b>
<b>Dual Polarization</b>	<b>X</b>	<b>X</b>
<b>HPBW</b>	<b>65°</b>	<b>60°</b>
<b>Fixed Electr. DT</b>	<b>0°</b>	<b>0°</b>

**4-Port Antenna 790-960/1710-2170 65°/60° 12/14dBi 0°/0°T**

<b>Type No.</b>		<b>742226v01</b>		
<b>Lowband</b>		<b>R1</b>		
		<b>790-960</b>		
Frequency range	MHz	790 – 862	824 – 894	880 – 960
Polarization	°	+45, -45	+45, -45	+45, -45
Gain	dBi	2 x 11.1	2 x 11.4	2 x 11.8
<b>Horizontal Pattern:</b>				
Half-power beam width		68	67	65
Front-to-back ratio (180°±30°)	dB	Copolar: > 23 Total power: > 20	Copolar: > 23 Total power: > 20	Copolar: > 25 Total power: > 22
Cross polar ratio Main direction	0°	Typically: 25 > 10	Typically: 25 > 10	Typically: 25 > 10
Sector	±60°			
Tracking, Avg.	dB	1.0		
Squint	°	±3.0		
<b>Vertical Pattern:</b>				
Half-power beam width	°	34	33	30
Electrical tilt	°	0, fixed		
Impedance	Ω	50		
VSWR		< 1.5		
Isolation: Intrasystem	dB	> 30		
Isolation: Intersystem	dB	> 42 (790-960 // 1710-2170 MHz)		
Intermodulation IM3	dBc	< -150 (2 x 43 dBm carrier)		
Max. power per input	W	250 (at 50 °C ambient temperature)		



936.3967/f Subject to alteration.

Highband		B1		
		1710-2170		
Frequency range	MHz	1710 – 1880	1850 – 1990	1920 – 2170
Polarization	°	+45, -45	+45, -45	+45, -45
Gain	dBi	2 x 12.8	2 x 13.3	2 x 13.6
<b>Horizontal Pattern:</b>				
Half-power beam width	°	66	60	60
Front-to-back ratio (180°±30°)	dB	Copolar: > 25 Total power: > 22	Copolar: > 25 Total power: > 22	Copolar: > 25 Total power: > 22
Cross polar ratio Maindirection Sector	0° ±60° dB	Typically: 16 > 10	Typically: 18 > 10	Typically: 20 > 10
Tracking, Avg.	dB	0.5		
Squint	°	±1.5		
<b>Vertical Pattern:</b>				
Half-power beam width	°	20	18	17.5
Electrical tilt	°	0, fixed		
Impedance	Ω	50		
VSWR		< 1.5		
Isolation: Intrasystem	dB	> 30		
Isolation: Intersystem	dB	> 42 (790-960 // 1710-2170 MHz)		
Intermodulation IM3	dBc	< -150 (2 x 43 dBm carrier)		
Max. power per input	W	200 (at 50 °C ambient temperature)		

Mechanical specifications		
Input	4 x 7-16 female	
Connector position	Bottom or top	
Wind load (at Rated Wind Speed: 150 km/h)	N   lbf	Frontal: 125   28 Maximal: 135   30
Max. wind velocity	km/h mph	200 124
Height/width/depth	mm inches	579 / 262 / 139 22.8 / 10.3 / 5.5
Category of mounting hardware	M (Medium)	
Weight	kg lb	7.5 / 9.5 (clamps incl.) 16.5 / 20.9 (clamps incl.)
Packing size	mm inches	756 x 282 x 172 29.8 x 11.1 x 6.8
<b>Scope of supply</b>	Panel and 2 units of clamps for 42-115 mm   1.7-4.5 inches diameter	

\* Inverted mounting:  
Connector position top: Change drain hole screw.

936.3967/f Subject to alteration.

# Accessories

## General Information

### Accessories (order separately if required)

Type No.	Description	Remarks mm / inches	Weight approx. kg   lb	Units per antenna
731651	1 clamp	Mast diameter: 28 – 60   1.1 – 2.4	0.8   1.8	2
85010002	1 clamp	Mast diameter: 110 – 220   4.3 – 8.7	2.7   6.0	2
85010003	1 clamp	Mast diameter: 210 – 380   8.3 – 15.0	4.8   10.6	2
737978	1 downtilt kit	Downtilt angle: 0° – 20°	2.3   5.1	1

### Accessories (included in the scope of supply)

738546	1 clamp	Mast diameter: 42 – 115   1.7 – 4.5	1.1   2.4	2
--------	---------	-------------------------------------	-----------	---

For downtilt mounting use the clamps for an appropriate mast diameter together with the downtilt kit.  
Wall mounting: No additional mounting kit needed.

#### Material:

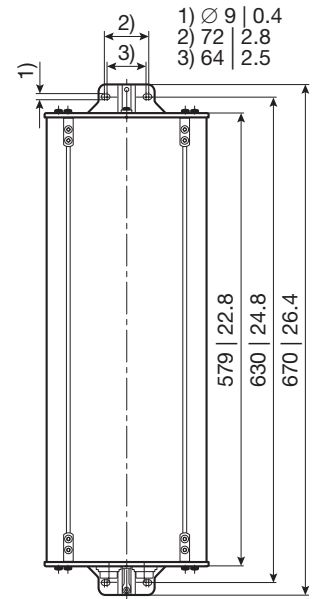
**Reflector screen:** Weather-proof aluminum.

**Fiberglass housing:** It covers totally the internal antenna components. Fiberglass material guarantees optimum performance with regards to stability, stiffness, UV resistance and painting. The color of the radome is light grey.

**All screws and nuts:** Stainless steel.

#### Grounding:

The metal parts of the antenna including the mounting kit and the inner conductors are DC grounded.



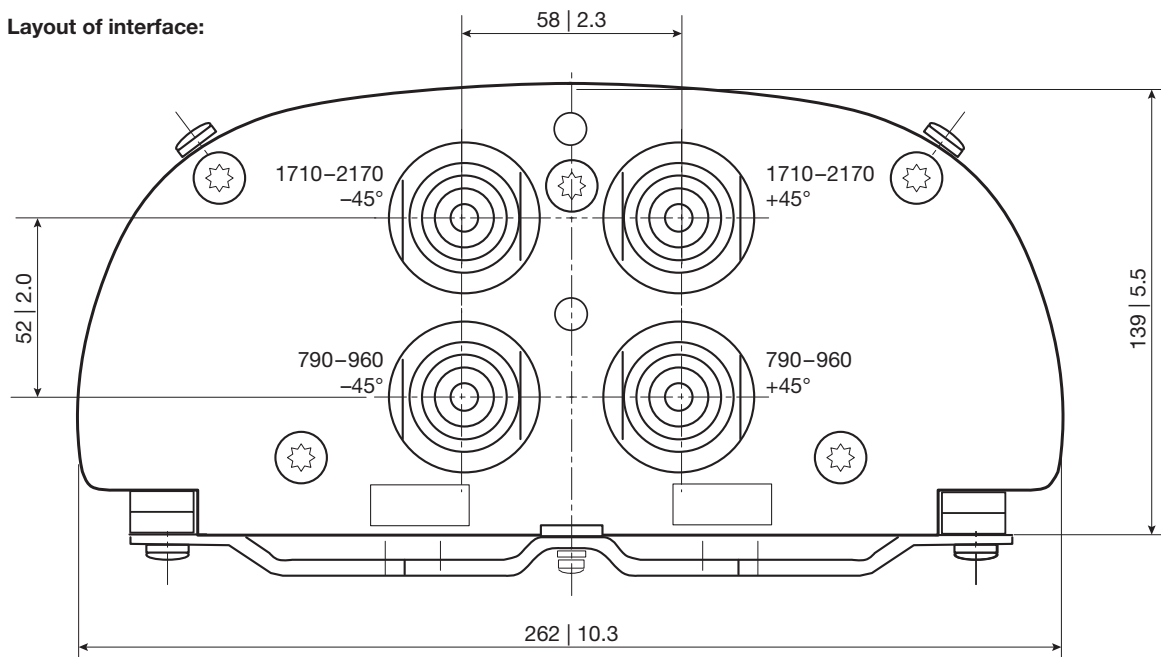
All dimensions in mm | inches



### Correlation Table

Frequency range	Array	Connector
790– 960 MHz	R1	1–2
1710–2170 MHz	B1	3–4

### Layout of interface:



936.3967/f Subject to alteration.

Bottom view  
All dimensions in mm | inches

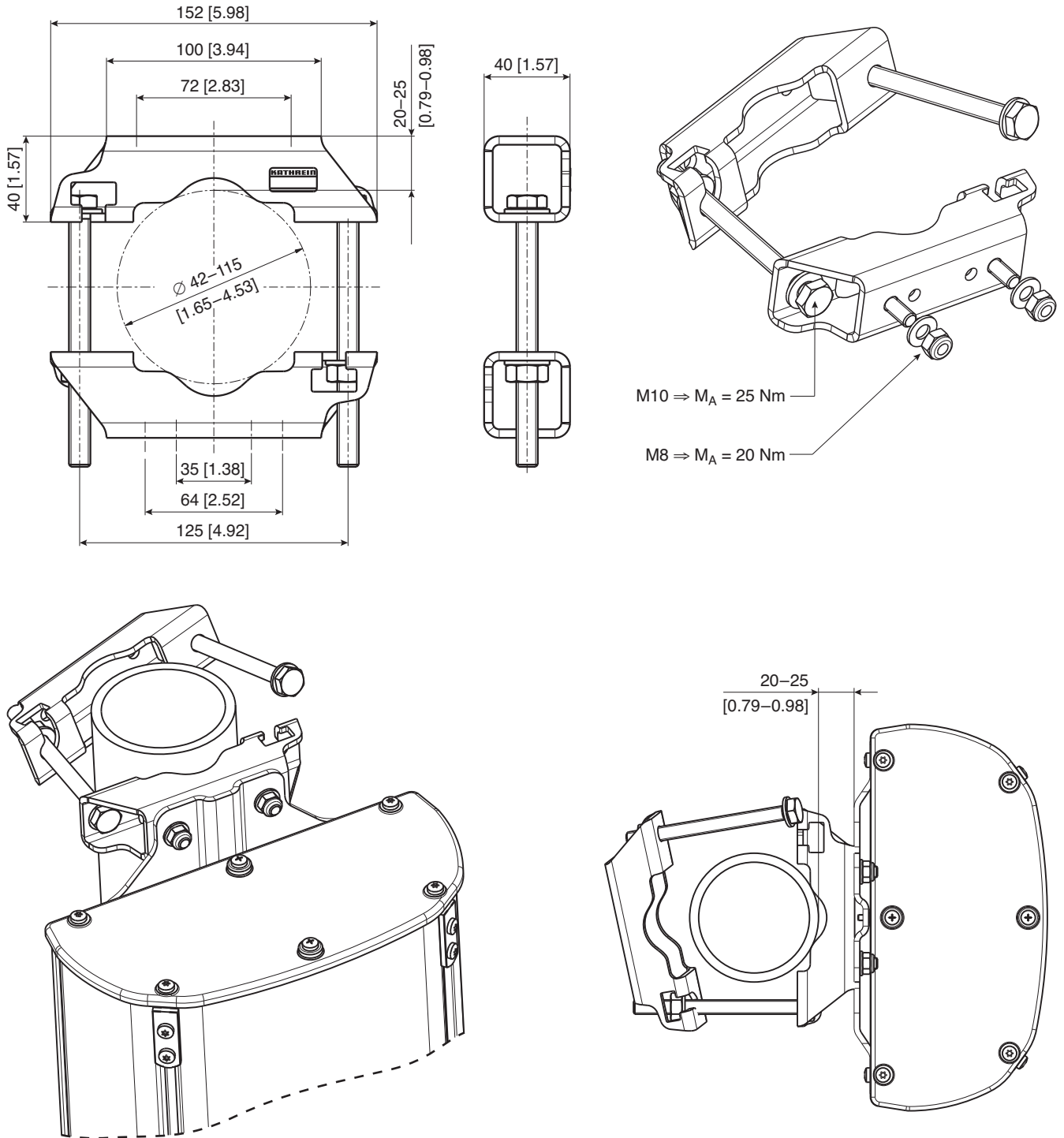
All specifications are subject to change without notice.  
The latest specifications are available at [www.kathreinusa.com](http://www.kathreinusa.com)

# Mounting Hardware

## Clamp Included in the Scope of Supply

**KATHREIN**

Suitable for mast diameter	(mm) [inches]	42 – 115 [1.65 – 4.53]
Antenna – mast distance	(mm) [inches]	20 – 25 [0.79 – 0.98]
Material of clamp and screws		Hot-dip galvanized steel / stainless steel
Weight	(kg) [lb]	1.1 [2.43]



936.3920/c Subject to alteration.

**Please note: Kathrein does not recommend to use counter nuts.  
The additional nuts supplied are only meant as spares.**

All dimensions in mm and [inches]

All specifications are subject to change without notice.  
The latest specifications are available at [www.kathreinusa.com](http://www.kathreinusa.com)

738546 Page 1 of 1