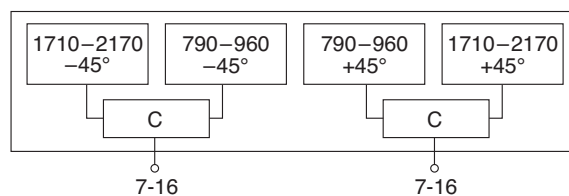


2-Port Antenna	R1	B1
Frequency Range	790-960	1710-2170
Dual Polarization	X	X
HPBW	65°	60°
Fixed Electr. DT	0°	0°

2-Port Antenna 790-960/1710-2170 C 65°/60° 12/14dBi 0°/0°T

Type No.		742222v01		
Lowband		R1		
		790-960		
Frequency range	MHz	790 – 862	824 – 894	880 – 960
Polarization	°	+45, -45	+45, -45	+45, -45
Gain	dBi	11.1	11.4	11.8
Horizontal Pattern:				
Half-power beam width	°	68	67	65
Front-to-back ratio (180°±30°)	dB	Copolar: > 23 Total power: > 20	Copolar: > 23 Total power: > 20	Copolar: > 25 Total power: > 22
Cross polar ratio Maindirection Sector	0° ±60°	dB Typically: 25 > 10	dB Typically: 25 > 10	dB Typically: 25 > 10
Vertical Pattern:				
Half-power beam width	°	34	33	30
Electrical tilt	°	0, fixed		
Impedance	Ω	50		
VSWR		< 1.5		
Isolation: Intrasystem	dB	> 30		
Intermodulation IM3	dBc	< -150 (2 x 43 dBm carrier)		
Max. power per input	W	250 (at 50 °C ambient temperature)		
Integrated combiner		The insertion loss is included in the given antenna gain values.		



936.4059/c Subject to alteration.

Highband		B1		
		1710-2170		
Frequency range	MHz	1710 – 1880	1850 – 1990	1920 – 2170
Polarization	°	+45, -45	+45, -45	+45, -45
Gain	dBi	12.5	13.3	13.6
Horizontal Pattern:				
Half-power beam width	°	66	60	60
Front-to-back ratio (180°±30°)	dB	Copolar: > 25 Total power: > 22	Copolar: > 25 Total power: > 22	Copolar: > 25 Total power: > 22
Cross polar ratio Maindirection Sector	0° ±60°	dB Typically: 18 > 10	dB Typically: 18 > 10	dB Typically: 20 > 10
Vertical Pattern:				
Half-power beam width	°	20	18	17.5
Electrical tilt	°	0, fixed		
Impedance	Ω	50		
VSWR		< 1.5		
Isolation: Intrasystem	dB	> 30		
Intermodulation IM3	dBc	< -150 (2 x 43 dBm carrier)		
Max. power per input	W	200 (at 50 °C ambient temperature)		
Integrated combiner		The insertion loss is included in the given antenna gain values.		

Mechanical specifications		
Input	2 x 7-16 female	
Connector position*	Bottom or top	
Wind load (at Rated Wind Speed: 150 km/h)	N lbf	Frontal: 125 28 Maximal: 135 30
Max. wind velocity	km/h mph	200 124
Height/width/depth	mm inches	579 / 262 / 139 22.8 / 10.3 / 5.5
Category of mounting hardware	M (Medium)	
Weight	kg lb	7.5 / 9.7 (clamps incl.) 16.5 / 21.3 (clamps incl.)
Packing size	mm inches	756 x 282 x 172 29.8 x 11.1 x 6.8
Scope of supply	Panel and 2 units of clamps for 42–115 mm 1.7–4.5 inches diameter	

* Inverted mounting:
Connector position top: Change drain hole screw.

936.4059/c Subject to alteration.

Accessories

General Information

Accessories (order separately if required)

Type No.	Description	Remarks mm / inches	Weight approx. kg lb	Units per antenna
731651	1 clamp	Mast diameter: 28 – 60 1.1 – 2.4	0.8 1.8	2
85010002	1 clamp	Mast diameter: 110 – 220 4.3 – 8.7	2.7 6.0	2
85010003	1 clamp	Mast diameter: 210 – 380 8.3 – 15.0	4.8 10.6	2
737978	1 downtilt kit	Downtilt angle: 0° – 34°	2.3 5.1	1

Accessories (included in the scope of supply)

738546	1 clamp	Mast diameter: 42 – 115 1.7 – 4.5	1.1 2.4	2
--------	---------	-------------------------------------	-----------	---

For downtilt mounting use the clamps for an appropriate mast diameter together with the downtilt kit.
Wall mounting: No additional mounting kit needed.

Material:

Reflector screen: Weather-proof aluminum.

Fiberglass housing: It covers totally the internal antenna components. Fiberglass material guarantees optimum performance with regards to stability, stiffness, UV resistance and painting. The color of the radome is light grey.

All screws and nuts: Stainless steel.

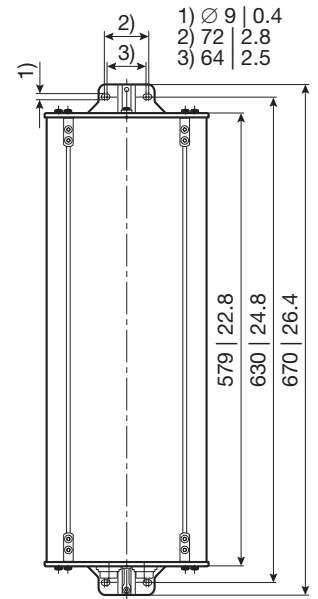
Grounding:

The metal parts of the antenna including the mounting kit and the inner conductors are DC grounded.



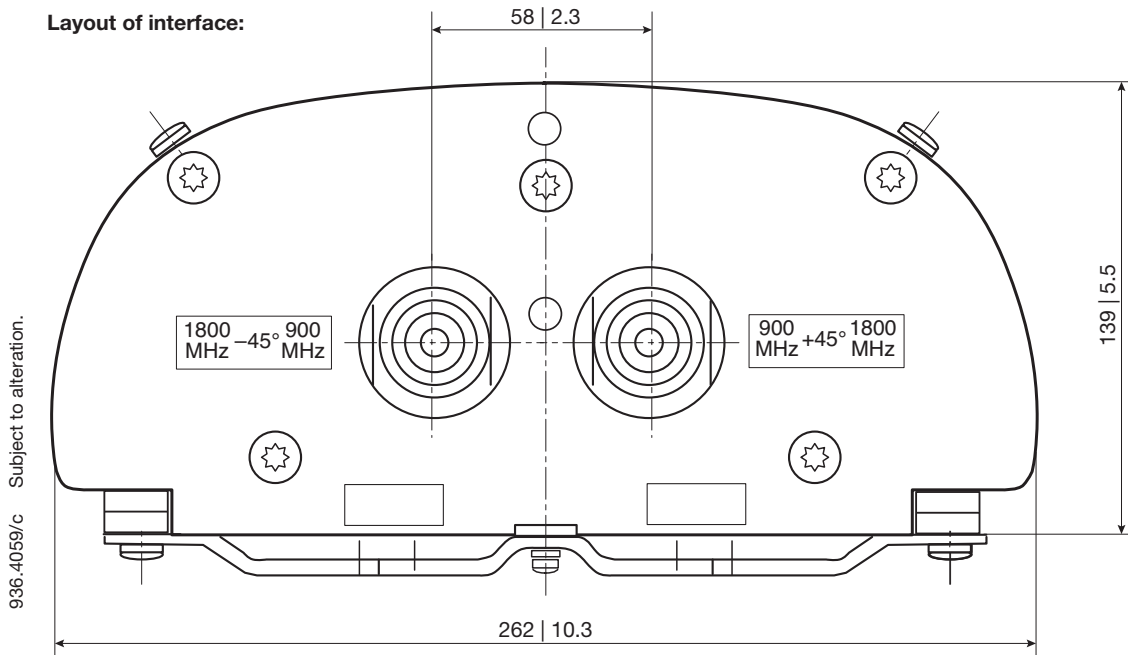
Correlation Table

Frequency range	Array	Connector
790– 960 MHz	R1	1–2
1710–2170 MHz	B1	1–2



All dimensions
in mm | inches

Layout of interface:



936.4059/c Subject to alteration.

Bottom view
All dimensions in mm | inches

Any previous data sheet issues have now become invalid.

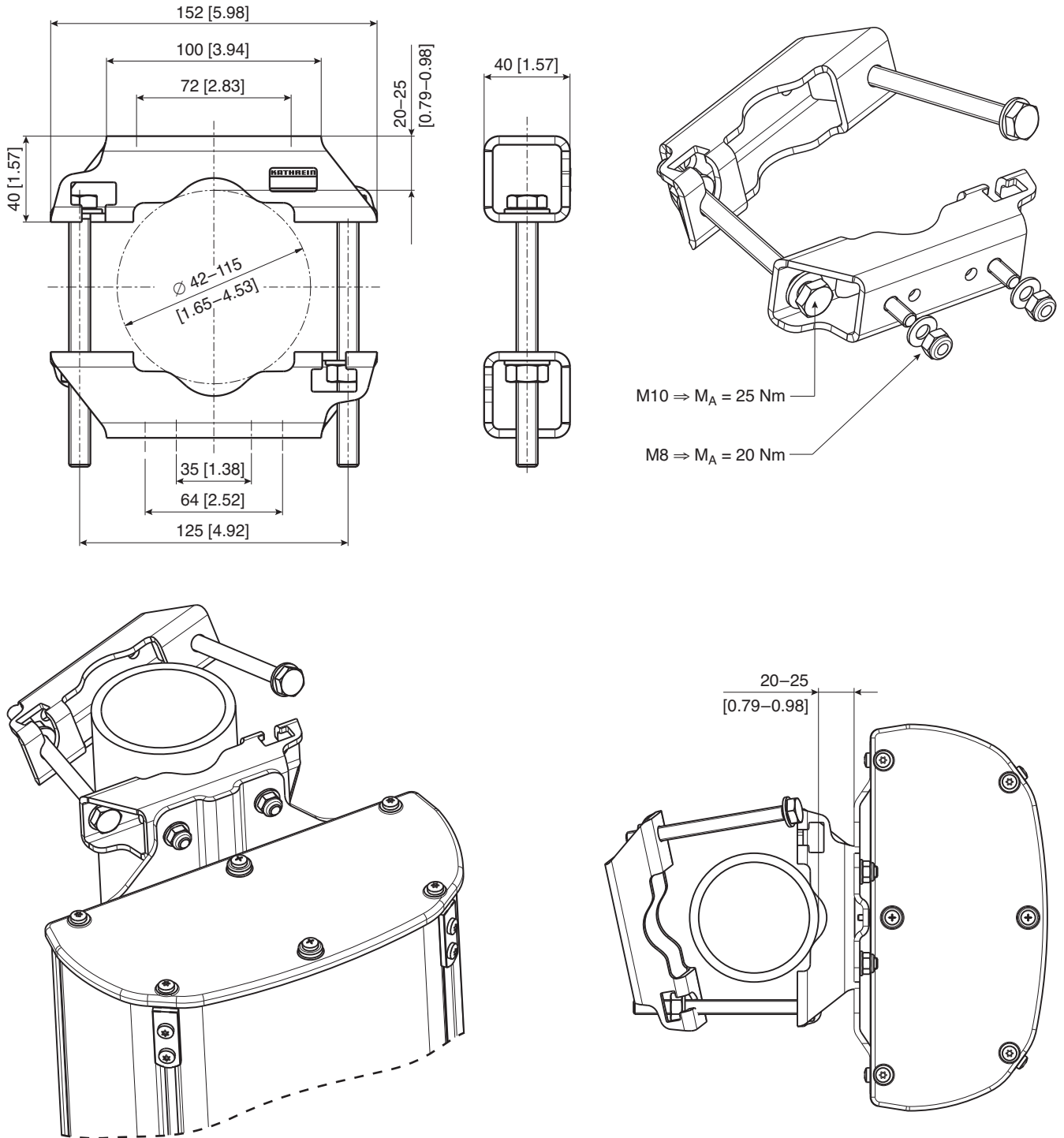
All specifications are subject to change without notice.
The latest specifications are available at www.kathreinusa.com

Mounting Hardware

Clamp Included in the Scope of Supply

KATHREIN

Suitable for mast diameter	(mm) [inches]	42 – 115 [1.65 – 4.53]
Antenna – mast distance	(mm) [inches]	20 – 25 [0.79 – 0.98]
Material of clamp and screws		Hot-dip galvanized steel / stainless steel
Weight	(kg) [lb]	1.1 [2.43]



936.3920/c Subject to alteration.

**Please note: Kathrein does not recommend to use counter nuts.
The additional nuts supplied are only meant as spares.**

All dimensions in mm and [inches]