

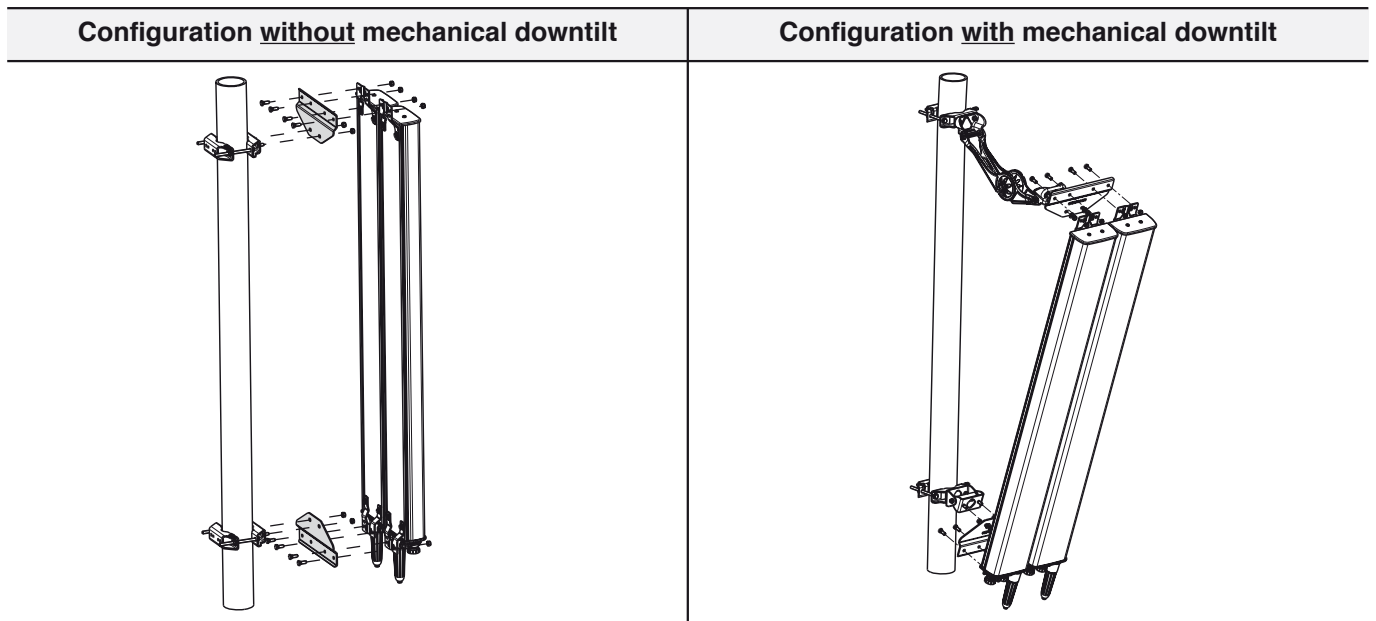
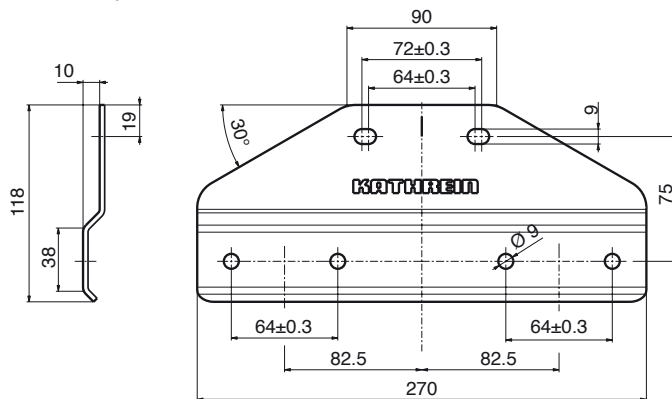
Panel Accessories

2 x Panel Mounting Kit for Panels width 112 mm and 155 mm

Use this mounting kit only for Panels with a maximum width of 160 mm.
Wind load category: L (Light) or M (Medium)
2 x Panel Mounting Kit

Type No.	742113
Contents	2 x brackets and mounting accessories
Material: – Clamp and screws – Nuts and washers	Hot-dip galvanized steel Stainless steel
Weight	Approx. 1.6 kg

Recommended torque for M8 bolted connections: 20 Nm



Use the 2 x Panel Mounting Kit together with the following mounting accessories

Type No.	Description	Remarks	Weight approx.	Units per antenna
731651	1 clamp	Mast: 28 – 60 mm diameter	0.8 kg	2
738546	1 clamp	Mast: 42 – 115 mm diameter	1.1 kg	2
85010002	1 clamp	Mast: 110 – 220 mm diameter	2.7 kg	2
85010003	1 clamp	Mast: 210 – 380 mm diameter	4.8 kg	2
85010060	1 offset	in combination with the clamps	1.3 kg	2
85010013	1 downtilt kit	Downtilt angle: depending on antenna height	3.7 kg	1

For a three sector panel arrangement, use the mounting kit type no. 742113 together with the three sector clamp 742213, 742033 or 742034. Three sector clamp 742263 does not match.

If a downtilt kit is used, please choose the fitting one from the antenna datasheet.

All specifications are subject to change without notice.
The latest specifications are available at www.kathreinusa.com