

3 Sector Panel Arrangement

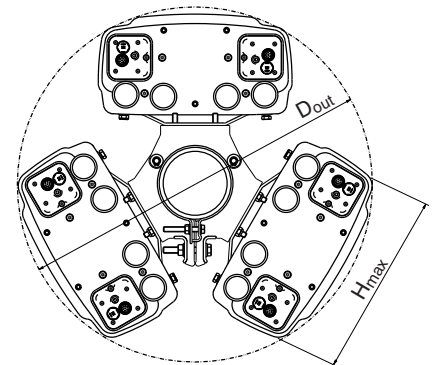
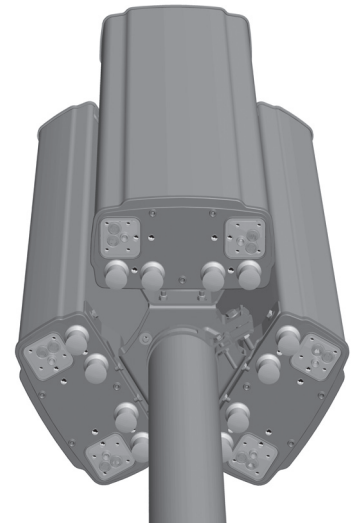
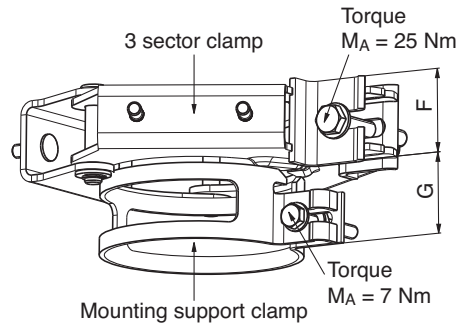
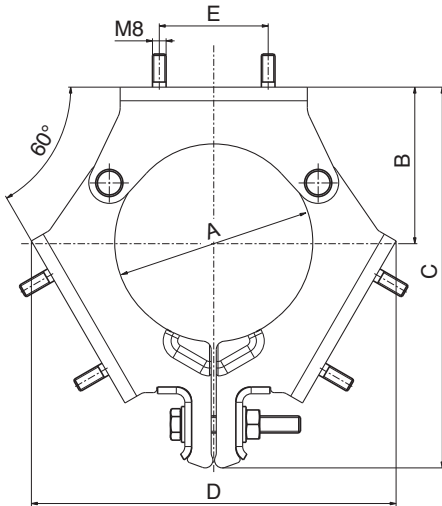
3 Sector Clamp Kit

Mounting Hardware

- Slim and unobtrusive design.
- Nearly cylindrical optical appearance with small outer diameter.
- Suitable for all Panels with an antenna housing width less than 400 mm (H_{max}).

Please note:

Panels with connector position “Rearside” fit only with downtilt kit azimuth adjustment kit or offset mounted in-between.



Bottom view without downtilt kit

Type No.	A	B	C	D	E	F	G	H_{max}	Weight
742263	88.9	65	180	168	64	50	45	280	4 kg
742317	88.9	88	213	199	64	50	45	361	4 kg
742033	114.3	92	217	207	64	50	45	375	4 kg
742034	139.7	100	236	228	64	50	45	400	4 kg
85010058	114.3	92	217	207	72	50	45	375	4 kg
85010059	139.7	100	236	228	72	50	45	400	4 kg

All dimensions in mm.

D_{out} is determined by mounted components.

3 Sector Clamp Kit (Antenna Wind load Category “L” and “M”)

Type No.	742263	742317	742033	742034
Angle between antennas	120°	120°	120°	120°
Suitable for mast diameter	88.9 mm	88.9 mm	114.3 mm	139.7 mm
Number of pieces	2 x 3 sector clamp 2 x mounting support clamp	2 x 3 sector clamp 2 x mounting support clamp	2 x 3 sector clamp 2 x mounting support clamp	2 x 3 sector clamp 2 x mounting support clamp
Material				
– 3 sector clamp	Hot-dip galvanized steel	Hot-dip galvanized steel	Hot-dip galvanized steel	Hot-dip galvanized steel
– Mounting support clamp	Aluminum	Aluminum	Aluminum	Aluminum
– Screws / threaded stud	Hot-dip galvanized steel	Hot-dip galvanized steel	Hot-dip galvanized steel	Hot-dip galvanized steel
– Nuts	Stainless steel	Stainless steel	Stainless steel	Stainless steel

3 Sector Clamp Kit (Antenna Wind load Category “H”)

Type No.	85010058	85010059
Angle between antennas	120°	120°
Suitable for mast diameter	114.3 mm	139.7 mm
Number of pieces	2 x 3 sector clamp 2 x mounting support clamp	2 x 3 sector clamp 2 x mounting support clamp
Material		
– 3 sector clamp	Hot-dip galvanized steel	Hot-dip galvanized steel
– Mounting support clamp	Aluminum	Aluminum
– Screws / threaded stud	Hot-dip galvanized steel	Hot-dip galvanized steel
– Nuts	Stainless steel	Stainless steel

All specifications are subject to change without notice.
The latest specifications are available at www.kathreinusa.com