

Indoor Omnidirectional Antenna Vertical Polarization

1710–2700

V

KATHREIN
Antennen · Electronic

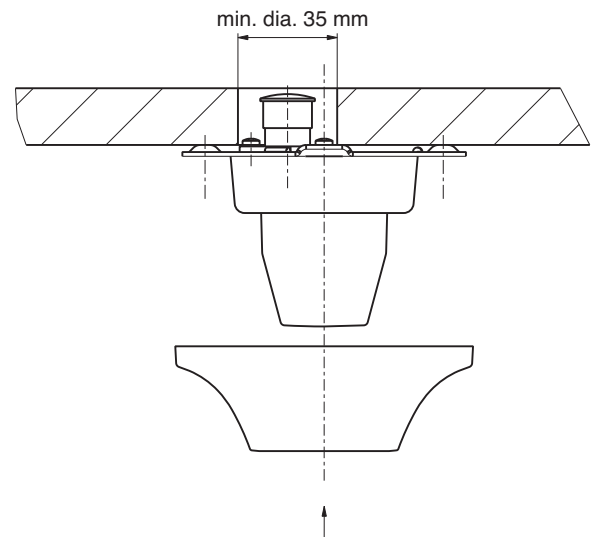
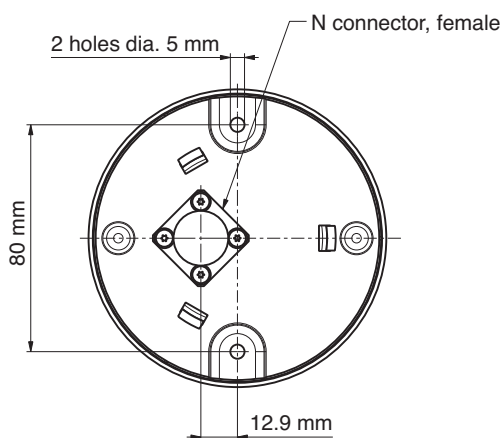
- The antenna can be operated in the total frequency range simultaneously.
- The antenna needs no additional groundplane.

VPol Indoor 1710–2700 360° 2dBi

Type No.	741573
Frequency range	1710 – 2700 MHz
Polarization	Vertical
Gain	2 dBi
Impedance	50 Ω
VSWR	1710 – 1880 MHz: < 1.6 1850 – 1990 MHz: < 1.6 1920 – 2170 MHz: < 1.6 2170 – 2500 MHz: < 2.0 2500 – 2700 MHz: < 2.2
Intermodulation IM3	< -140 dBc (2 x 40 dBm carrier)
Max. power	50 W (at 50 °C ambient temperature)
Input	1 x N female
Protection class	IP 30
Weight	150 g
Diameter	100 mm
Height	50 mm (without connector)



- Material:** Base: Aluminum.
Protective housing: High impact polystyrol, colour: White.
Additional painting is possible.
- Mounting:** Holes in the base enable a mounting on the ceiling. Screws are supplied.
For the N connector a hole in the ceiling with a diameter of 35 mm is required.
- Grounding:** All metal parts including the inner conductor are DC grounded.
- Available accessories:** Broadband power splitters (694 – 3800 MHz) and tappers (790 – 2500 MHz).



Clip the protective housing into position after the antenna has been mounted with the help of the three supplied screws.

936.2010/f Subject to alteration.

All specifications are subject to change without notice.
The latest specifications are available at www.kathreinusa.com

741573 Page 1 of 1