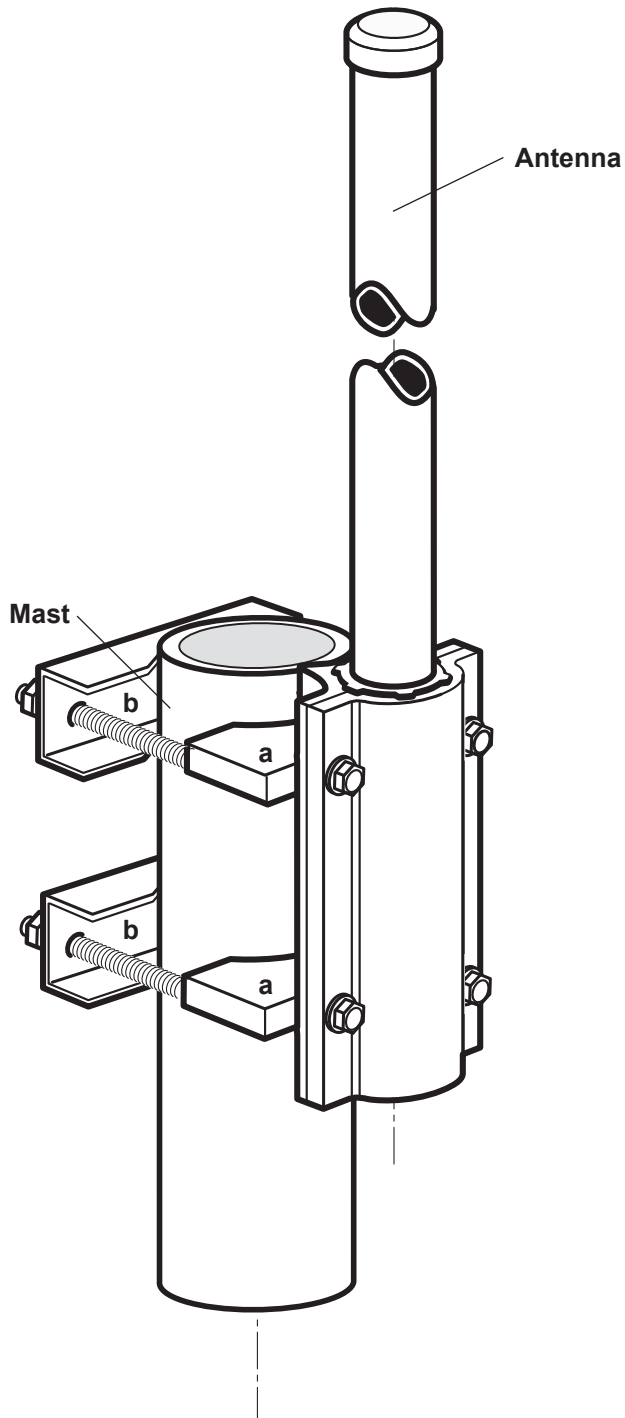


# Side-mounting Clamp Omnidirectional Antennas Large Pipe

**KATHREIN**

Type No. 738908

For masts of 94 – 125 mm diameter



# Side-mounting Bracket Omnidirectional Antennas

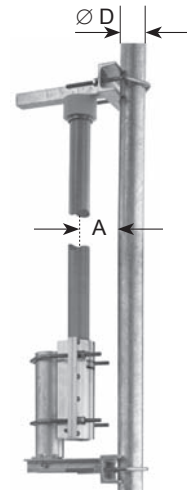
**KATHREIN**

Type No. 737398

Side-mounted bracket

(for mast diameters of 40 – 105 mm)

Type No.	737398		
Fits for antenna type no.	<b>800/900 MHz</b> 736347 736349 738192	<b>1800 MHz</b> 738187	<b>UMTS</b> 741790



Side-mounting is possible for four fixed distances between the tubular mast and the antenna

800/900 MHz (holes 1 and 3)			1800/2000 MHz (hole 2)																													
<p>A = 100 mm = 0.3 λ      A = 160 mm = 0.5 λ      A = 240 mm = 0.75 λ</p>			<p>A = 80 mm = 0.5 λ</p>																													
<table border="1"> <thead> <tr> <th>Pipe D</th> <th>Horizontal Radiation Pattern</th> <th>Spacing A Curve</th> </tr> </thead> <tbody> <tr> <td rowspan="3">40 mm</td> <td rowspan="3"></td> <td>100 mm</td> </tr> <tr> <td>160 mm</td> </tr> <tr> <td>240 mm</td> </tr> <tr> <td colspan="2">direction from mast to antenna →</td> <td></td> </tr> </tbody> </table>	Pipe D	Horizontal Radiation Pattern	Spacing A Curve	40 mm		100 mm	160 mm	240 mm	direction from mast to antenna →			<table border="1"> <thead> <tr> <th>Pipe D</th> <th>Horizontal Radiation Pattern</th> <th>Spacing A Curve</th> </tr> </thead> <tbody> <tr> <td rowspan="3">100 mm</td> <td rowspan="3"></td> <td>100 mm</td> </tr> <tr> <td>160 mm</td> </tr> <tr> <td>240 mm</td> </tr> <tr> <td colspan="2">direction from mast to antenna →</td> <td></td> </tr> </tbody> </table>	Pipe D	Horizontal Radiation Pattern	Spacing A Curve	100 mm		100 mm	160 mm	240 mm	direction from mast to antenna →			<table border="1"> <thead> <tr> <th>Pipe D Curve</th> <th>Horizontal Radiation Pattern</th> <th>Spacing A</th> </tr> </thead> <tbody> <tr> <td>40 mm</td> <td rowspan="3"></td> <td rowspan="3">80 mm</td> </tr> <tr> <td>100 mm</td> </tr> <tr> <td>direction from mast to antenna →</td> </tr> </tbody> </table>	Pipe D Curve	Horizontal Radiation Pattern	Spacing A	40 mm		80 mm	100 mm	direction from mast to antenna →
Pipe D	Horizontal Radiation Pattern	Spacing A Curve																														
40 mm		100 mm																														
		160 mm																														
		240 mm																														
direction from mast to antenna →																																
Pipe D	Horizontal Radiation Pattern	Spacing A Curve																														
100 mm		100 mm																														
		160 mm																														
		240 mm																														
direction from mast to antenna →																																
Pipe D Curve	Horizontal Radiation Pattern	Spacing A																														
40 mm		80 mm																														
100 mm																																
direction from mast to antenna →																																

All specifications are subject to change without notice.  
The latest specifications are available at [www.kathreinusa.com](http://www.kathreinusa.com)

# Side-mounting Brackets Omnidirectional Antennas

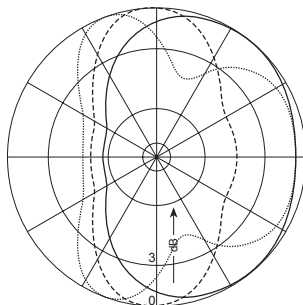
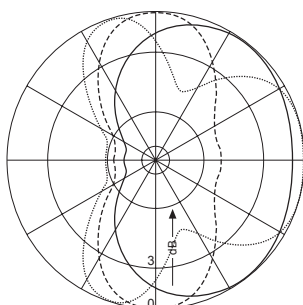
**KATHREIN**

For mast diameters of 40 – 105 mm

Type No.	K61335
Bracket	At the bottom only
Fits for antenna type no.	K75116..

Side mounting is possible for three fixed distances between the tubular mast and the antenna:

- 100 mm = 0.3  $\lambda$
- 160 mm = 0.5  $\lambda$
- 240 mm = 0.75  $\lambda$

Pipe D	Horizontal Radiation Pattern	Spacing A Curve	Additional gain to the nominal value of the antenna gain
40 mm		100 mm	2 dB
		160 mm	3 dB
		240 mm	2 dB
100 mm		100 mm	2.5 dB
		160 mm	3.5 dB
		240 mm	2.5 dB