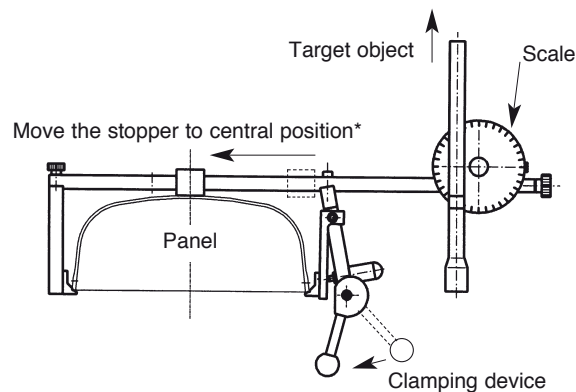
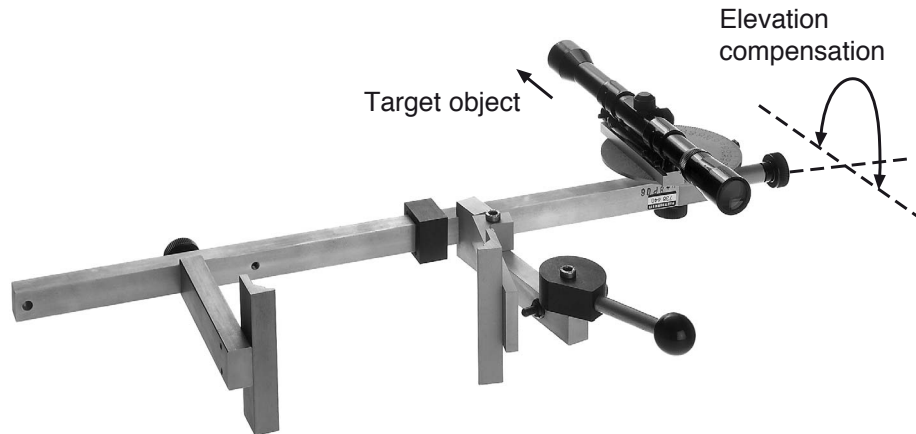


# Azimuth Adjustment Tool 738 440

Precise azimuth adjustment for mast mounted antennas can easily be achieved by using the azimuth adjustment tool.

**This tool is suitable to all types of Panels and Tri-Sector Pipe Antennas with a maximum width of 315 mm.**



## Instruction:

- Use a map to work out the angle between the designed antenna azimuth and target (church, building, mountain peak).
- Set this angle on the scale of the adjustment tool.
- Place the adjustment tool onto the antenna and tighten the clamping device.
- Use the telescope to aim at the target object, if necessary, use elevation compensation.
- Then rotate the antenna until the target object appears in the telescope.

\* Observe the position of the stopper when fitting the azimuth adjustment tool.

936.1533/e Subject to alteration.

