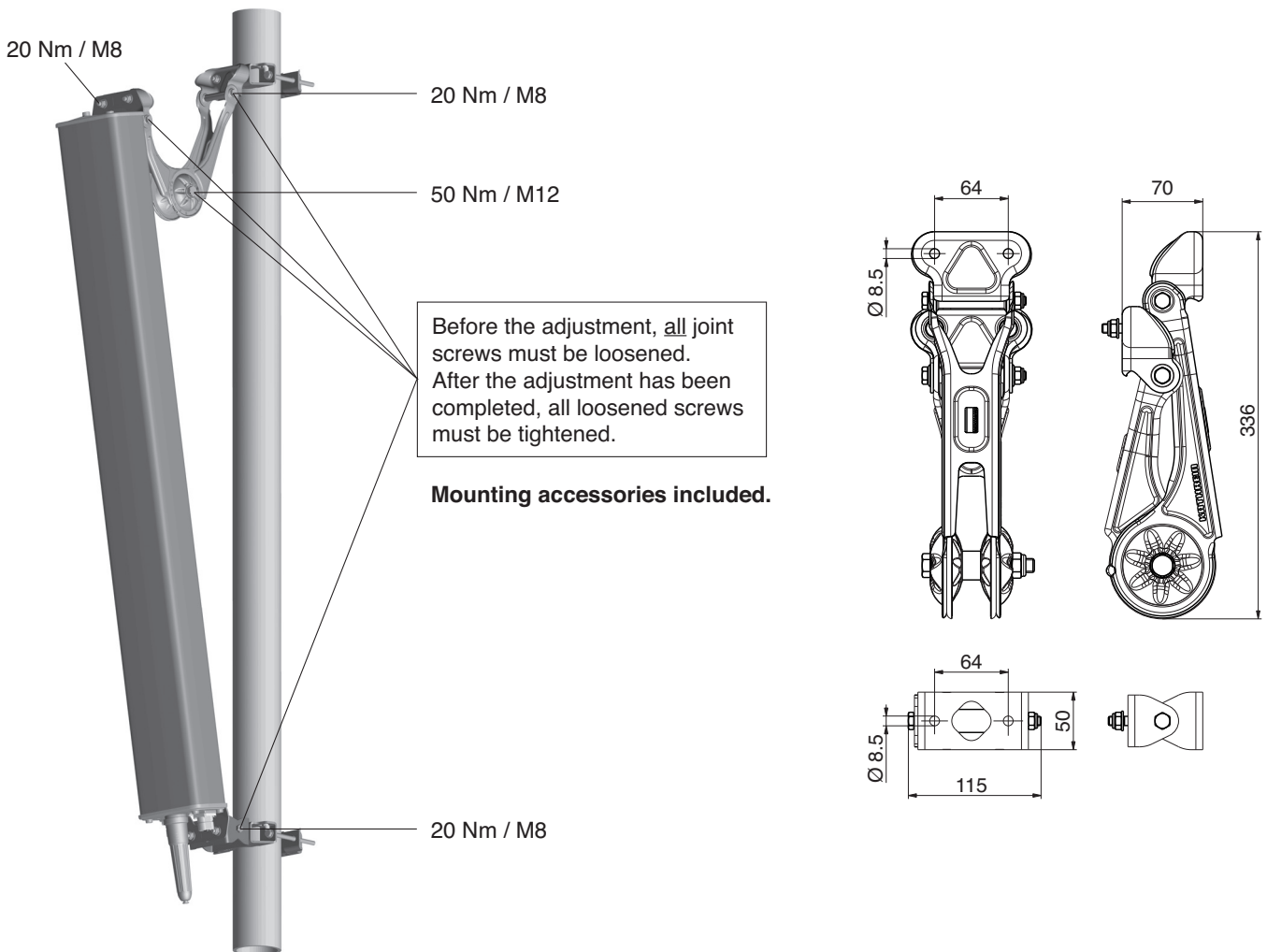


Standard Downtilt kit for Panel Antennas (Wind load Category “L” and “M”)

Downtilt kit

Type No.	737978
Preferred range of use	– Panel antennas with attached mounting plates – Downtilt kit without scale for universal use
Weight	2.3 kg
Material	Hot-dip galvanized steel
Screws	Hot-dip galvanized steel / stainless steel
Nuts / washers	Stainless steel



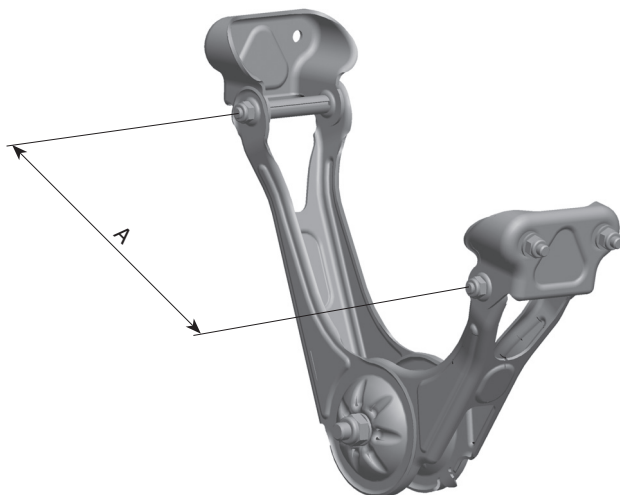
936.3323/c Subject to alteration.

Instructions to adjust the required downtilt angle are given in the datasheet or on the rearside of the antenna.

Mounting this downtilt kit enlarges the spacing between mast and antenna by 84 mm.

Use the downtilt kit together with the clamps as described in the antenna datasheet.

Standard Downtilt kit for Panel Antennas (Wind load Category “L” and “M”)



Distance “A” between the jointbolts of the downtilt kit in mm (max. 395 mm).

You will find the values for “A” on the sticker on the backside of the antenna.

For example:

KATHREIN Designed in Germany
Made in

Type no. XXXXXXXX

Type

Serial no.

A°	X mm	
1°	77	
2°	104	
3°	138	
4°	174	
5°	212	
7°	290	
9°	369	